

FIBER CABLE RECEIVERS

QBH

Ensure safe, precise, and reliable laser beam delivery with Coherent fiber cable receivers. Designed for high-power fiber laser systems, these compact receivers provide secure fiber termination by locking the fiber cable connector in place and automatically engaging the fiber safety interlock circuit.

Their compact, OEM-friendly design enables seamless integration into laser systems, while the precision conical interface delivers fast, accurate, and repeatable plug-and-play fiber connections.



FEATURES

- Safe locking mechanism
- Fiber interlock termination
- Compact dimensions
- Built-in temperature switch
- Plug-and-play

APPLICATIONS

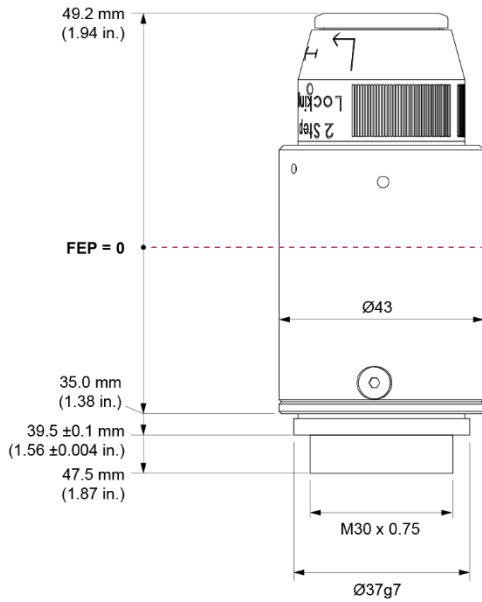
- Welding
- Cutting
- Surface Treatment
- Cladding
- 3D Additive Manufacturing

Specifications	Fiber Connector Mount	Bayonet
Fiber Cable Side	Output	Input and Output
Interlock Termination	Short-circuit incl. thermoswitch	Free/short-circuit wires
Thermoswitch	Yes, 70°C ±5°C, reset temp >30°C	No
Dimensions & Weight		
Dimensions	See page 3	See page 4
Weight (kg)	2-9626X01: 0.2 1-9398X01: 0.3	1-9308X01: 0.4 1-9416X01/02: 0.4 1-9087X01/02: 0.2
Environmental Conditions		
Humidity (% RH)	<80	
Operating Temperature (°C)	5 to 50	
Storage Temperature (°C)	-25 to 70	
Compliance Information		
RoHS	Directives 2011/65/EU and (EU) 2015/863	
REACH	Regulation (EC) No. 1907/2006	

Mechanical Specifications

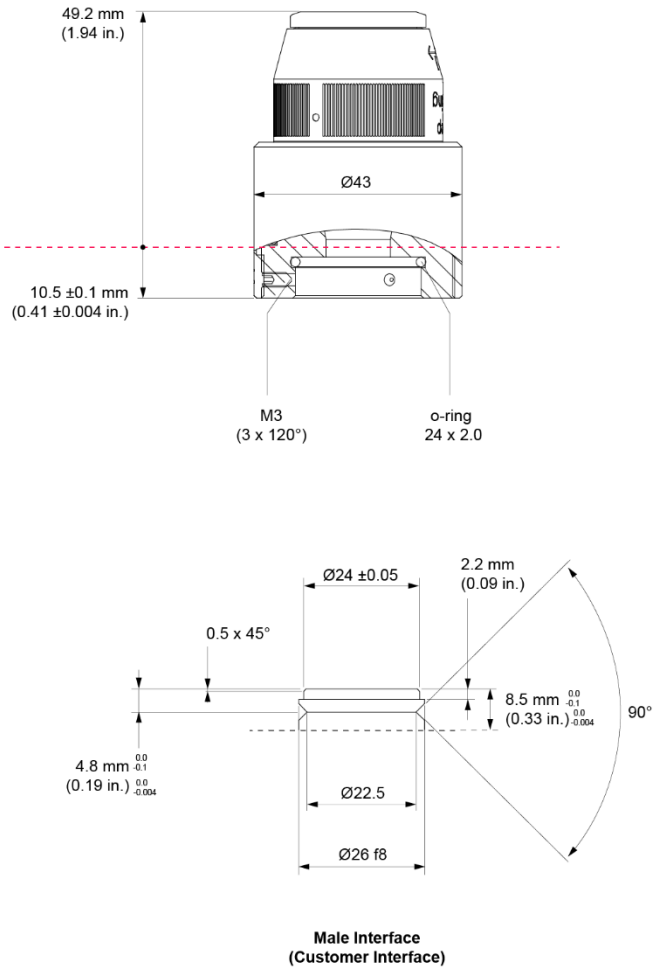
QB Fiber Connector Mounts

1-9398X01



FEP = Fiber End Plane

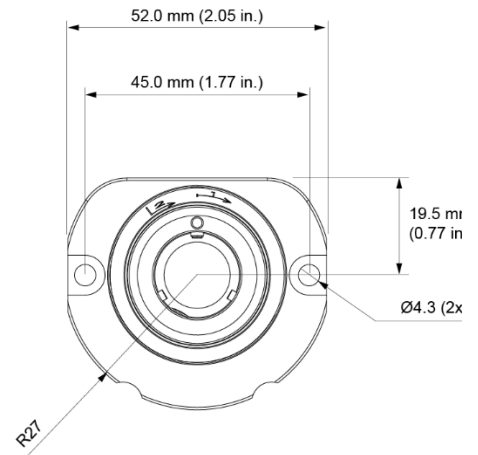
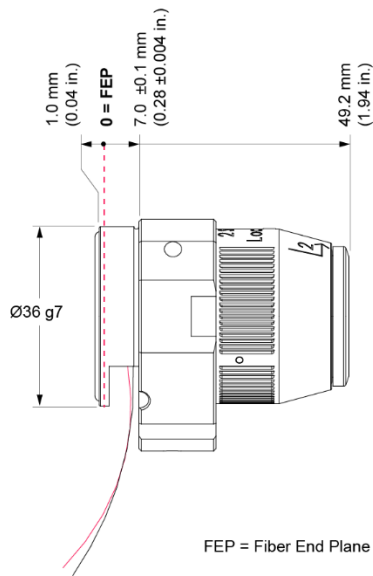
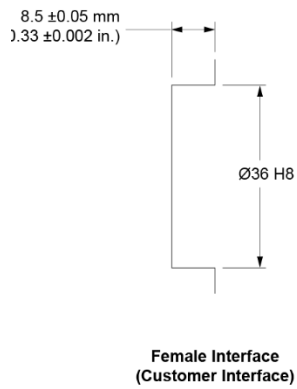
2-9626X01



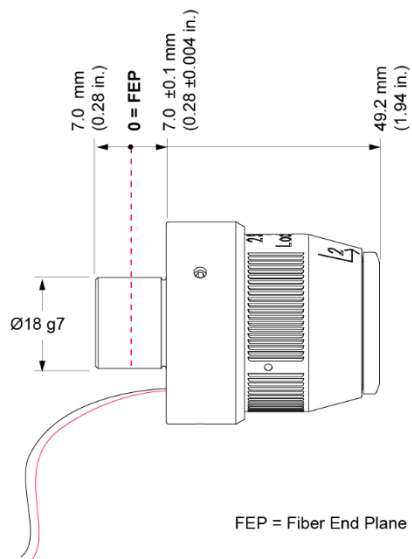
Mechanical Specifications

QB Bayonets

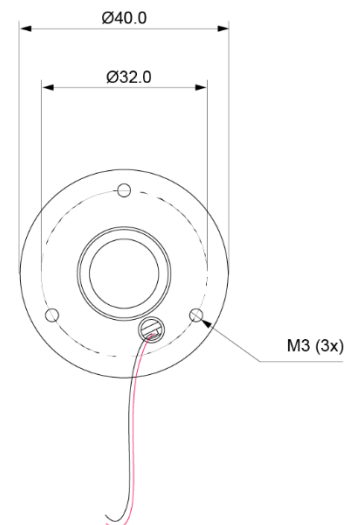
1-9416X01/02, 1-9308X01



1-9087X01/02



Interlock Wires:
Free Cables 400 mm (15.75 in.)
Short-Circuit 0 mm (0.0 in.)



Part Numbers

Fiber Cable Receivers

Product Description	Part Number
QB Fiber connector mount	1-9398X01
QB Fiber connector mount, short	2-9626X01
QB Bayonet, fiber input side	1-9308X01
QB Bayonet, fiber output side	1-9416X01
QB Bayonet, fiber output side, short-circuit	1-9416X02
QB Bayonet, fiber output side, compact	1-9087X01
QB Bayonet, fiber output side, compact, short-circuit	1-9087X02

Accessories

Product Description	Part Number
QB Bayonet plug, red	1397199