

976nm, Conduction-Cooled, Narrow Linewidth, Fiber-Coupled, Multi-Bar Module

Features

- Narrow linewidth of <1nm
- High coupling efficiency
- High brightness
- Conduction-cooled
- Sealed housing

Optional Accessories

- Integrated pointer laser
- Integrated power meter
- Integrated NTC temperature sensor
- Fiber detection sensor



Device Specification

Optical Parameters ¹	Units			
Center Wavelength Range ³	nm		976	
Center Wavelength Tolerance	nm		±0.6	
Output Power ²	W	240	300	400
Spectral Width (FWHM)	nm		<1	
Slope Efficiency	W/A	>5.6	>6.5	>9
Wavelength Temp. Coefficient	nm/°C		~0.01 ⁵	

Fiber Parameters

Numerical Aperture	NA	0.22	0.22	0.22
Fiber Core Diameter	µm	200	400	400
Fiber Connector		QBH	QBH/HighYAG	QBH/HighYAG

Electrical Parameters¹

Power Conversion Efficiency	%	>35	>40	>40
Threshold Current (I _{TH})	A	<7.5	<7.5	<7.5
Operating Current (I _{OP})	A	<55	<60	<60
Operating Voltage (V _{OP})	V	<16	<20	<24

Thermal Parameters

Operating Temperature ^{3, 4}	°C		+20 to +30	
Storage Temperature ⁴	°C		0 to +55	
Recommended Cooling Capacity	W	>640	>900	>1040

¹Data at 25°C cold plate temperature, unless otherwise stated.

²Reduced lifetime if used above nominal operating conditions.

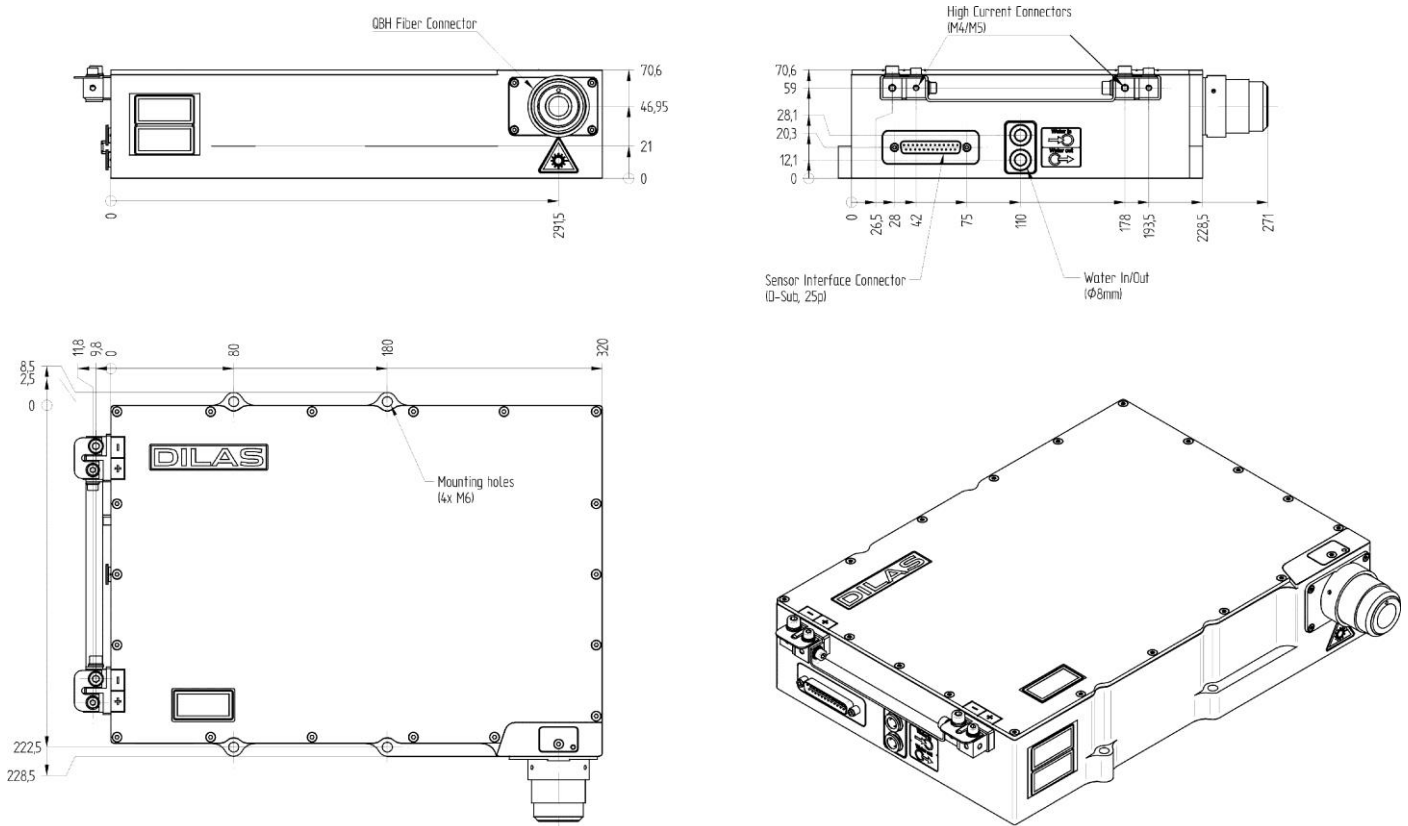
³Others available upon request.

⁴A non-condensing environment is required for storage and operation below the ambient dew point.

⁵Within operating temperature ±3°C

976nm, Conduction-Cooled, Narrow Linewidth, Fiber-Coupled, Multi-Bar Module

Package Dimension



©2014 DILAS. All rights reserved. DILAS reserves the right to change products specifications without notice. For handling precautions, please reference the general handling instruction manual.

For complete details, please contact your local DILAS sales representative or visit our website at www.DILAS.com.

Europe
DILAS Diodenlaser GmbH
 Galileo-Galilei-Straße 10
 55129 Mainz
 Germany
 Phone: +49 (0)6131 9226 0
 Fax: +49 (0)6131 9226 257
 Email: sales@DILAS.de

North America
DILAS Diode Laser, Inc.
 9070 South Rita Road
 Suite 1500
 Tucson, AZ 85747
 Phone: +1 (520) 232-3480
 Fax: +1 (520) 232-3499
 Email: sales@DILAS-INC.com

China & Taiwan
DILAS Diodenlaser GmbH
 China Sales Office
 Room 206, Sunplus Technology, Bldg. 2
 No. 1077 Zu Chongzhi Road
 Hi-Tech Park, Shanghai 201203,
 P.R. China
 Phone: +86 (0) 21-6855-2216
 Fax: +86 (0) 21-5027-3793
 Email: sales@dilas-china.com.cn