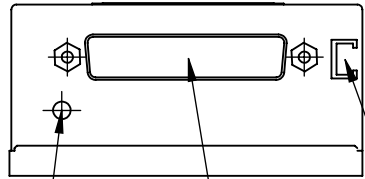


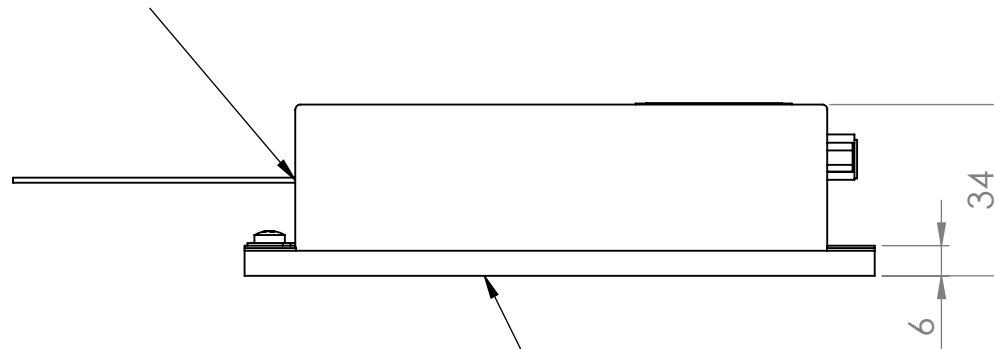
Beam waist at exit window
(3mm inside from here)
(±200mm)



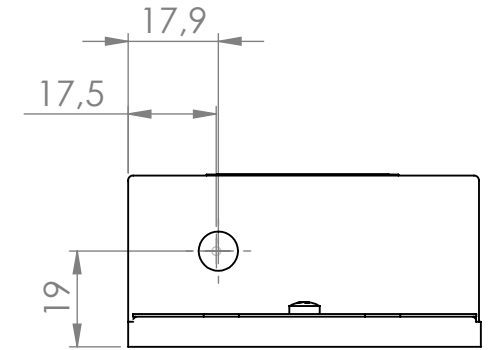
Connection to Controller
(25pin SUB-D male)

DC Supply for fan
(AMP-MODU-2pin-male)

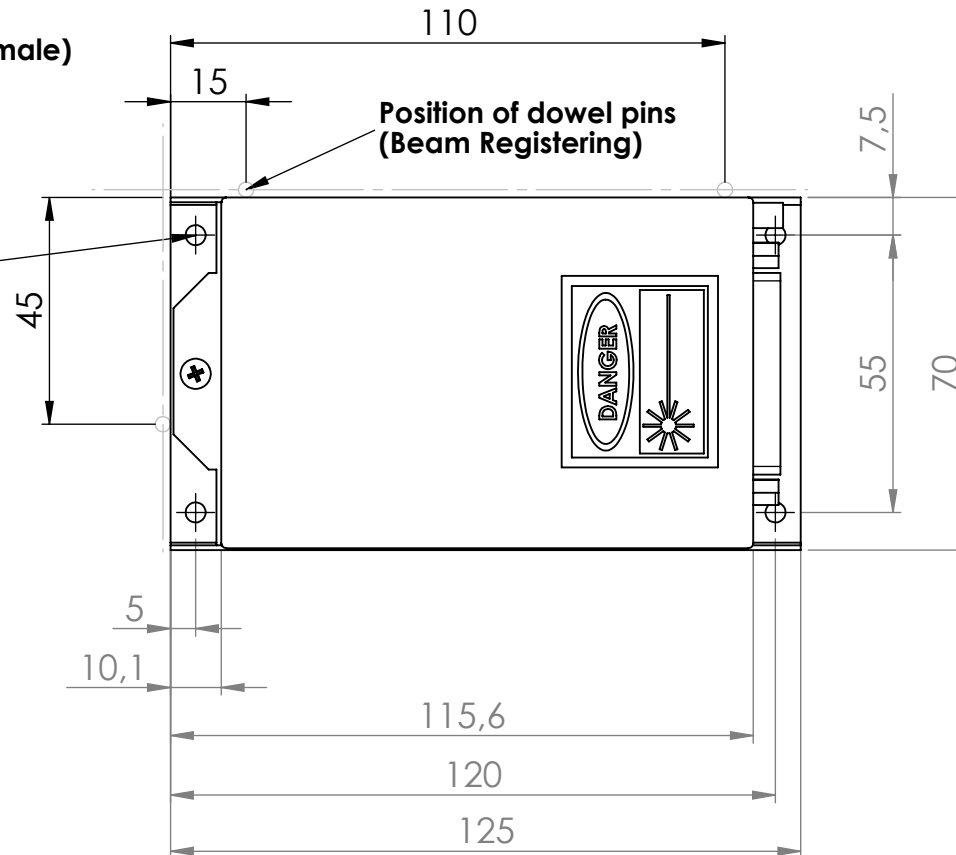
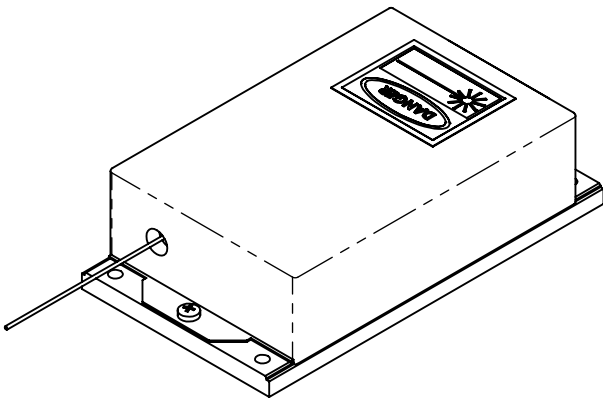
LED
(Emission Indicator)



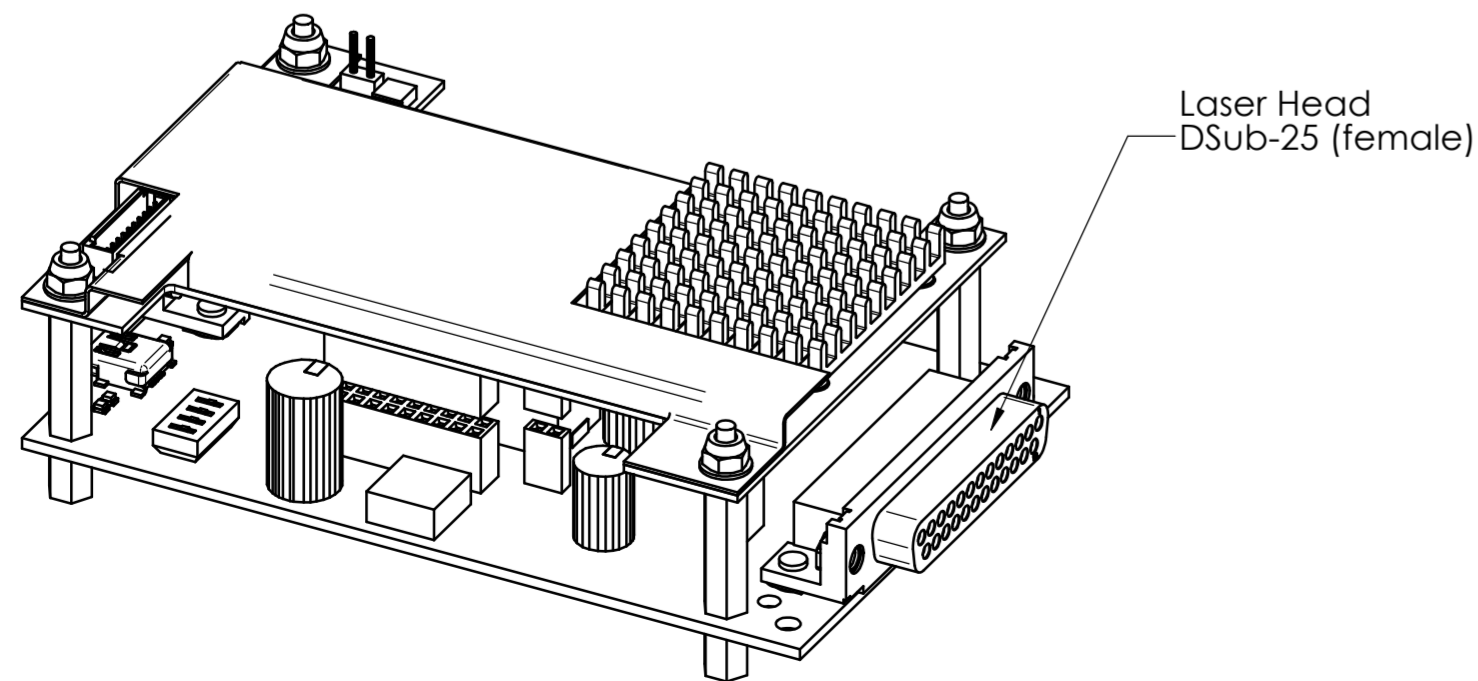
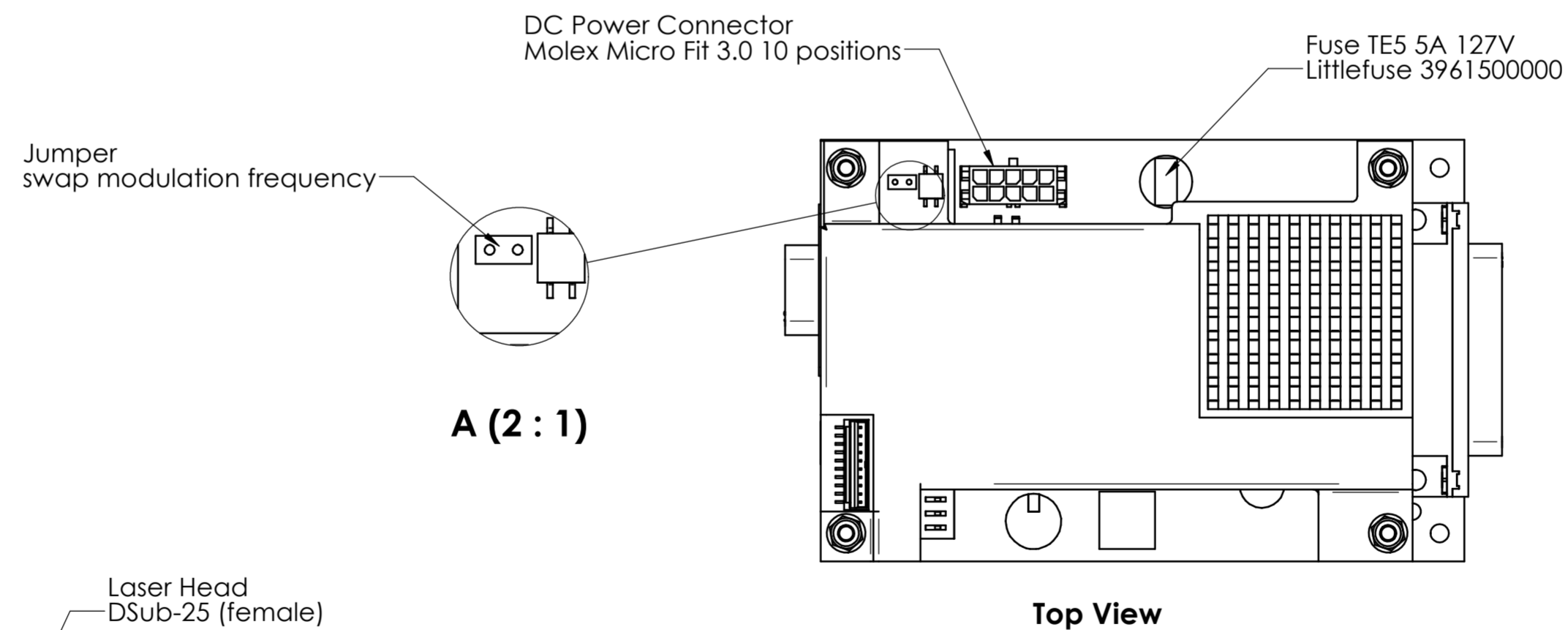
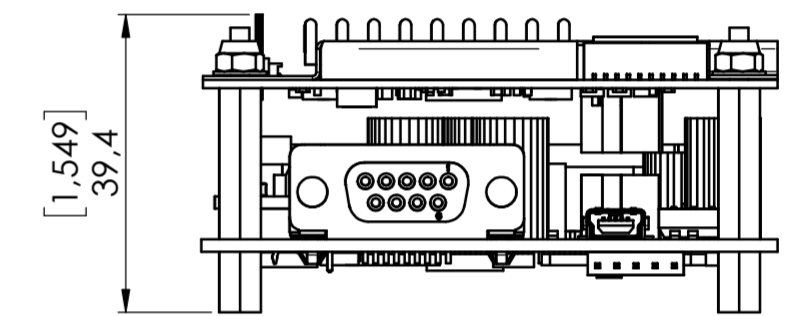
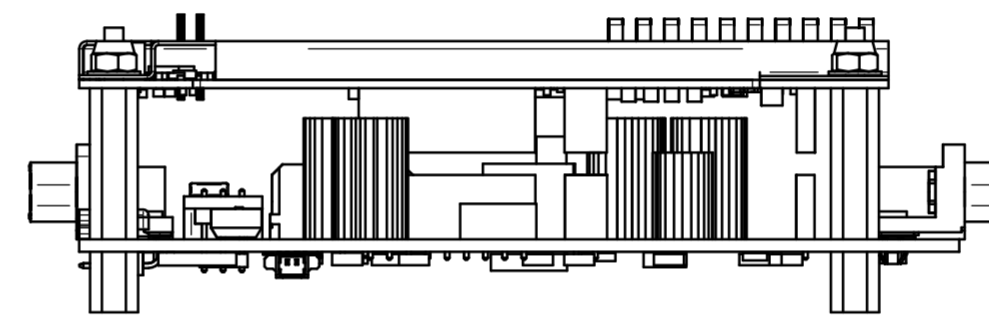
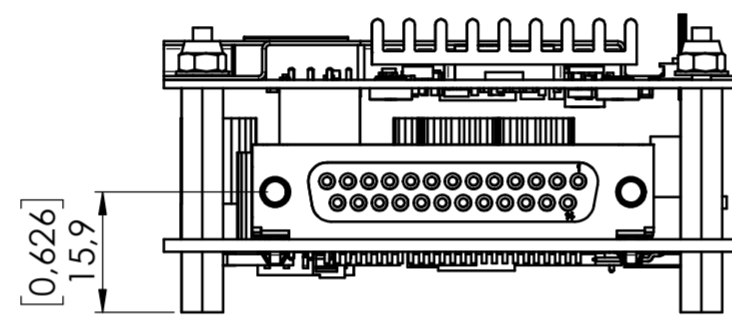
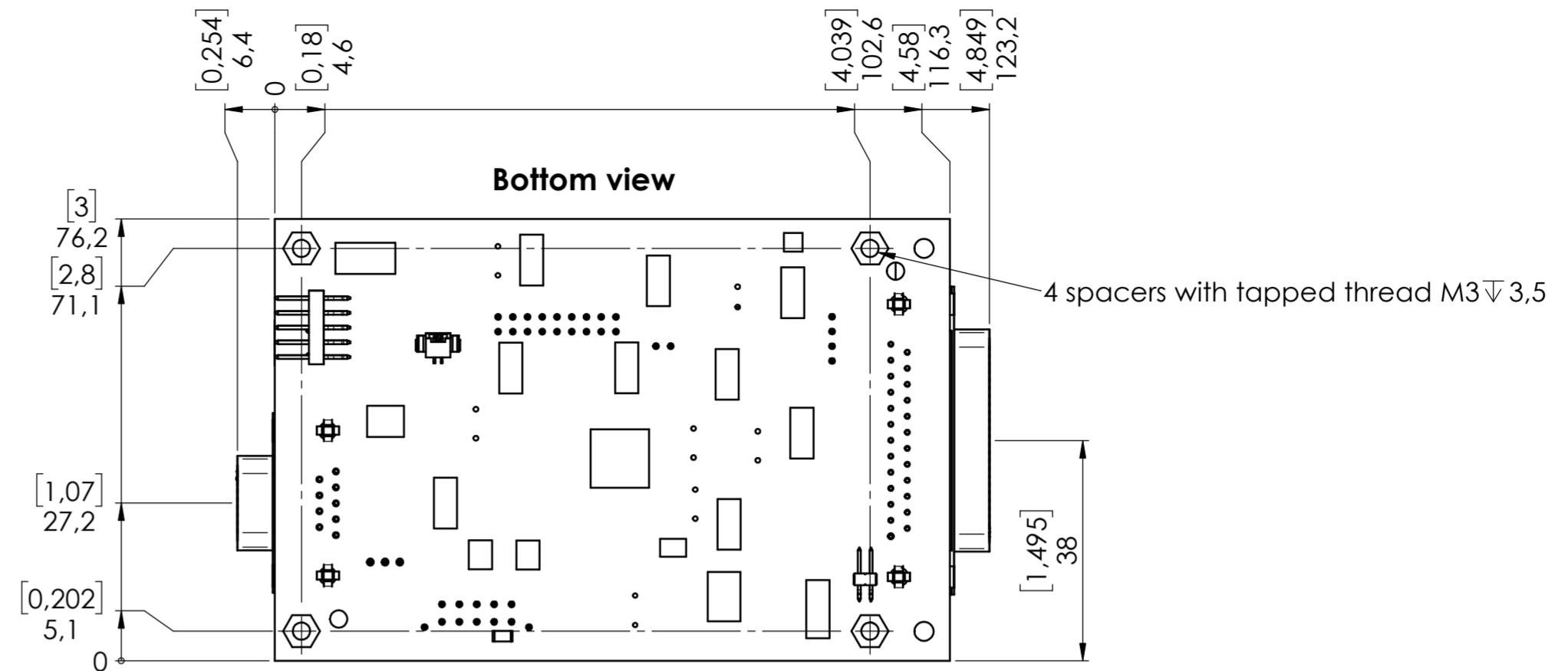
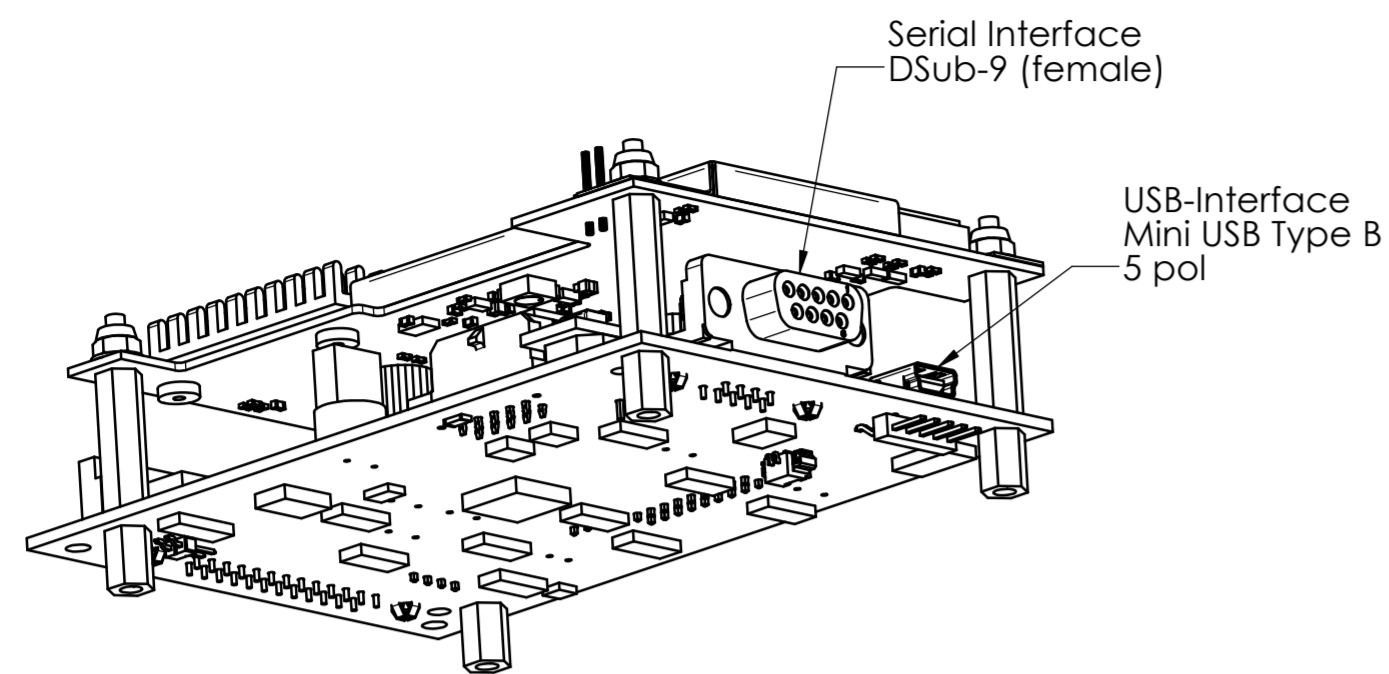
Interfacing Part (Heatsink) should have
flatness <math><0.05\text{mm}</math>



4 Holes $\phi 4.0\text{mm}$
for screws M3, UNC/UNF No.5&6,
1/8"-40 BSW/BSF or BA No.4&5



all dimensions in mm



Dimensions: mm [inch]

Confidential - subject to non-disclosure obligations / Vertraulich - unterliegt Geheimhaltungsverpflichtungen

The reproduction, distribution and utilization of this document as well as the communication of its contents to others without express authorization is prohibited. Offenders will be held liable for the payment of damages. All rights reserved in the event of the grant of a patent, utility model or design.

Sapphire OEM Controller LPX

Drawing no.:
1314793

Created: 23 Mar 17
Name: Sach

© Coherent LaserSystems GmbH & Co KG 2015



Proj. 1	Blattgröße DIN ISO 128-30	DIN A2	Scale 1:1	Sheet 1 of 1
---------	------------------------------	--------	--------------	-----------------

Rev.: Change: Date: Name:

C:\EPDMPRODEU\EPDM\LDP\Produkte\Sapphire\do not ship\1314793 Sapphire OEM Controller LPX