



# StarFiber 150/300 P

## Pulsed Fiber Laser for Fine Welding, Cutting, and Drilling

The Coherent StarFiber 150/300 P fiber laser combines high pulse energy and peak power with high beam quality and is characterized by high electrical efficiency, low maintenance and compact design. It is the economic solution for demanding welding, cutting, and drilling applications. StarFiber 150 P is available as a multi-mode or single-mode source while StarFiber 300 P comes as a multi-mode source. These air-cooled lasers meet the requirements of flexible industrial production and their modern industrial interface makes them easy to integrate.

### FEATURES & BENEFITS

- High peak power (1.5 kW, 3.0 kW)
- High pulse energy (15 J/30 J)
- Available with scanner and fixed optics
- Coherent SmartWeld™, SmartWeld+, and SmartCut+ technology for optimized welding and cutting properties
- Easy to integrate
- Convenient operator control through innovative control unit (RCU)

### APPLICATIONS

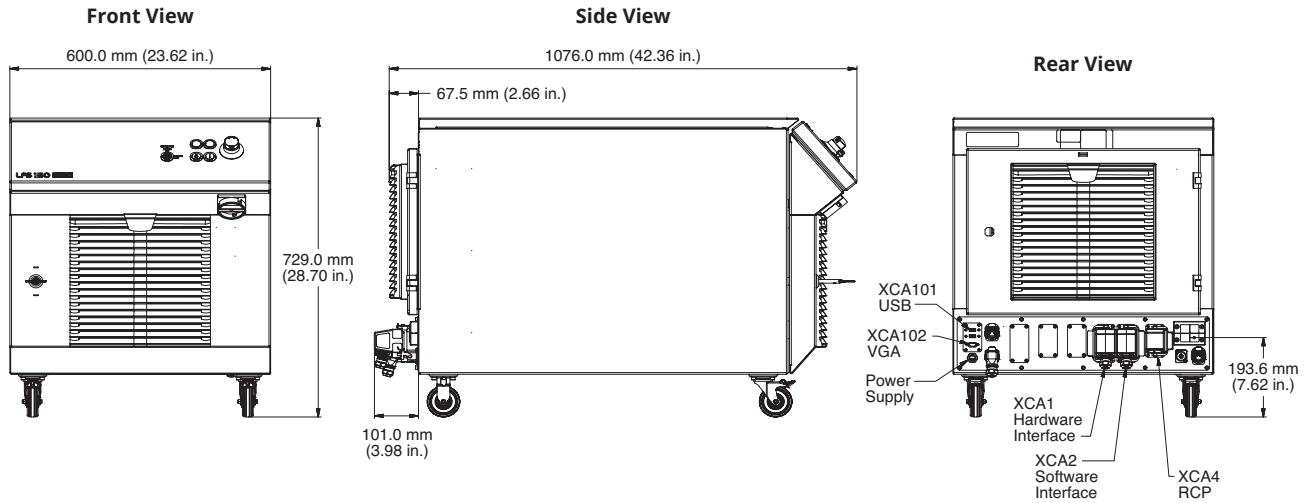
- Fine Welding
- Fine Cutting
- Precision Drilling
- Scribing of Brittle Materials



SPECIFICATIONS	StarFiber 150 P	StarFiber 300 P
Wavelength (nm)	1070	
Output Power (W) (Max.)	150	300
Pulse Length (ms)	0.02 to 50	
Pulse Energy (J) (Max.)	15	30
Pulse Repetition Rate (kHz)	Single Pulse to 50	
Pulse Power (kW)	1.5	3.0
Average Power CW (W) (Max.)	250	300
Long-term Stability (%)	±1	
Beam Quality	Single-Mode (SM) or Multi-Mode (MM)	Multi-Mode (MM)
Fiber Length	3.7 m (SM) or 4.7 m (MM), Non-Detachable	
Minimum Bending Radius (Min.)	50 mm (1.97 in.)	
ENVIRONMENTAL AND ELECTRICAL OPERATING CONDITIONS		
Supply Voltage (VAC/A)	230 V ±10%, 50/60 Hz, 1P + N + PE	
Power Rating (kVA)		
Cabinet Version	1.1	1.2
Integrator Version	1.0	1.1
Cooling	Air	
Weight		
Cabinet Version	80 kg (176.4 lbs.)	90 kg (198.4 lbs.)
Dimensions (L x W x H)		
Cabinet Version	1076 x 600 x 729 mm (42.36 x 23.62 x 28.70 in.)	
Integrator Version	19" x 8 HU x 610 mm (24.01 in.)	19" x 9 HU x 610 mm (24.01 in.)
OPTIONS		
<ul style="list-style-type: none"> <li>- Application packages: <ul style="list-style-type: none"> <li>• SmartWeld+</li> <li>• SmartCut+</li> <li>• Fine welding with scanner or fixed optics</li> <li>• Fine cutting with fixed optics</li> </ul> </li> <li>- Process visualization via camera</li> <li>- Pattern recognition</li> <li>- Remote maintenance</li> </ul>		

## MECHANICAL SPECIFICATIONS

### StarFiber P



Coherent, Inc.,  
 5100 Patrick Henry Drive Santa Clara, CA 95054  
 p. (800) 527-3786 | (408) 764-4983  
 f. (408) 764-4646

[tech.sales@coherent.com](mailto:tech.sales@coherent.com) [www.coherent.com](http://www.coherent.com)

Coherent follows a policy of continuous product improvement. Specifications are subject to change without notice.

Coherent offers a limited warranty for all StarFiber 150/300 P Lasers. For full details of this warranty coverage, please refer to the Service section at [www.coherent.com](http://www.coherent.com) or contact your local Sales or Service Representative. MC-004-18-0M0819Rev.B Copyright ©2019 Coherent, Inc.

