



META 10C

Next Generation Laser Machining Center

Material Cutting without Compromise

The META is the compact and powerful answer for prototype to high volume manufacturing applications.

The META is designed to cut sheet metals up to 0.250 in./6 mm* in thickness while maintaining stunning performance on non-metal cutting and engraving applications. Simple user interface and job loading software simplifies work set up and increases productivity.

FEATURES

- New form factor for international sheet sizes
- Advanced laser precision and motion control accuracy
- Automated nozzle control for metal and non-metal applications
- High power and low operating cost sealed CO₂ laser for cutting metal and non-metal
- Auto focus and capacitive height sensing
- High flow/pressure adjustable coaxial assist gas jet
- Gull wing, dual access doors with removable pallet, front and rear pass through

OPTIONS

- Machine Vision
- Pallet Automation
- Nesting SW Options

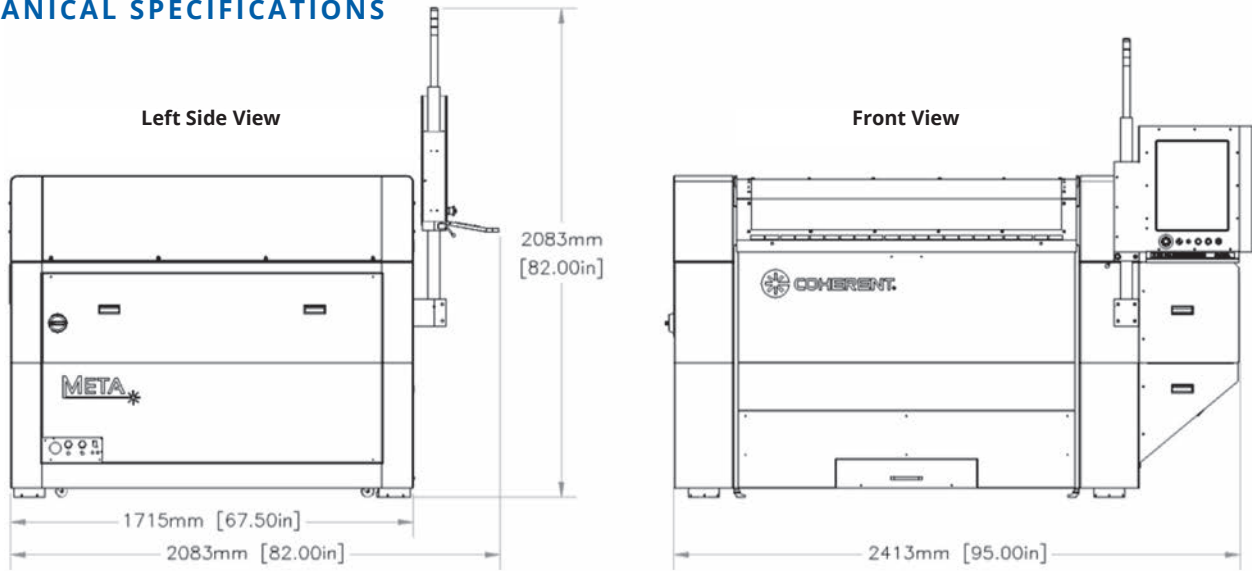


SPECIFICATIONS	META 10C
Laser Power/Peak Power ¹ (W)	1000/2500
Dimensions (L x W x H)	2083 x 2413 x 2083 mm (82.0 x 95.0 x 82.0 in.)
Weight	1112 kg (2450 lbs.)
Cutting Height	1020 mm (40.0 in.)
Working Range	x = 1270 mm (50.0 in.) y = 1270 mm (50.0 in.) z = 241 mm (9.5 in.)
Maximum Speed	50,800 mm (2000 in.)/min. cutting 91,500 mm (3600 in.)/min. rapid positioning 50,800 mm (2000 in.)/min. raster engraving
Positioning	Linear encoders with 2 micron resolution in closed loop with brushless servo motors
Accuracy ²	25 µm (0.001 in.) positioning accuracy 5 µm (0.0002 in.) repeatability
Contouring	Full look-ahead contouring capability
Materials	Metal, Plastics, Wood, Paper, Composites, Fabric, Rubber
Software Interface Program including:	Windows 7 support G-code support DXF, HPGL, DWG, Gerber, JPG, BMP, TIF file import Full geometry editing Editable database of laser parameters Job estimator software Job management software
Cutting Pallets	Removable pallet system with front and rear pass-through Metal cutting points or honeycomb work support
Laser Power Control	Digital laser power control Power proportional to velocity
Focusing	Auto Focus, with Active Capacitive following for metal
Exhaust/Vacuum Bed	Bed vacuum material hold-down plenum and part collection drawer External high pressure exhaust blower recommended (not supplied with system)
Cooling	External chiller
PC/File Server	Windows/Ethernet
Power (VAC)	380 to 440V, 47 to 63 Hz, three-phase, 5 wire, 50A
Safety	Safety interlocks on all covers and enclosures Class I system (Complies with 21 CFR Chapter 1, Subchapter J)
User Controls	Touch Screen Control panel Jog, Bed height controls Home, Park, Load buttons Exhaust, gas assist controls Editing of laser settings Integrated HMI workstation Auto restart

¹ These specifications are applicable as of October 2014 and are subject to change without notice.

² Accuracy quoted is under controlled conditions and measured across a 300 mm (12") distance.
Accuracy may vary depending on substrate variability, process settings and conditions in the customer facility.

MECHANICAL SPECIFICATIONS



Coherent, Inc.,
 5100 Patrick Henry Drive Santa Clara, CA 95054
 p. (800) 527-3786 | (408) 764-4983
 f. (408) 764-4646

tech.sales@Coherent.com www.Coherent.com

Coherent follows a policy of continuous product improvement. Specifications are subject to change without notice. Coherent's scientific and industrial lasers are certified to comply with the Federal Regulations (21 CFR Subchapter J) as administered by the Center for Devices and Radiological Health on all systems ordered for shipment after August 2, 1976.

Coherent offers a limited warranty for all META laser machining centers. For full details of this warranty coverage, please refer to the Service section at www.Coherent.com or contact your local Sales or Service Representative. Printed in the U.S.A. MC-028-14-0M1017Rev.A Copyright ©2017 Coherent, Inc.