

OBIS LX/LS

Lasers for Plug-and-Play Simplicity

The Coherent OBIS suite of products offers higher signal-to-noise ratio laser technology for a wide range of applications in the Life Sciences, Environmental Monitoring, and Inspection markets.

Our Optically Pumped Semiconductor Laser (OPSL) technology combined with our laser diode solutions delivers the industry best laser reliability and performance. The OBIS family of smart lasers covers the wavelength spectrum—from the Ultraviolet at 375 nm to the near-Infrared at 980 nm.

The plug-and-play flexibility allows customers to integrate the product of their choice much faster, thereby reducing their time-to-market and costs.

OBIS LX/LS lasers deliver superior power, low RMS noise, and higher beam quality that are key customer needs from any laser source.

Coherent has implemented an intelligent design that allows multiple ways to interface with the laser, giving our customers the ability to choose the smartest operation process for their specific application requirements.



FEATURES

- Commonality across the spectrum in dimensions, beam and interface
- Integrated control electronics
- Analog, digital and mixed modulation mode

APPLICATIONS

- Confocal Microscopy
- DNA Sequencing
- Flow Cytometry
- Medical Imaging and Instrumentation

Looking for Single Frequency or Narrow Linewidth OBIS Lasers? Please refer to the OBIS LX SF data sheets.

SPECIFICATIONS	OBIS 375LX	OBIS 405LX	OBIS 413LX	OBIS 422LX	OBIS 445LX
Wavelength ¹ (nm)	375	405	413	422	445
Output Power ² (mW)	16, 50	50, 140, 200, 100 250, 365	100	100	75, 365
Maximum Output Power (mW)	18, 55	55, 154, 220, 110 275, 402	110	110	83, 402
Spatial Mode	TEM ₀₀	TEM ₀₀	TEM ₀₀	TEM ₀₀	TEM ₀₀
M ² (Beam Quality) ³	≤1.3	≤1.2 ≤1.3	≤1.2	≤1.2	≤1.2
Beam Asymmetry	≤1:1.2	≤1:1.2	≤1:1.2	≤1:1.2	≤1:1.2
Beam Diameter at 1/e ² (mm)	0.7 ±0.1	0.8 ±0.1	0.8 ±0.1	0.9 ±0.1	0.6 ±0.1
Beam Divergence (mrad, full-angle)	<1	<1	<1	<1.1	<1.1
Pointing Stability (μrad) (over 2 hours after warm-up and ±3°C)	<30	<30	<30	<30	<30
Pointing Stability Over Temperature (μrad/°C)	<5	<5	<5	<5	<5
RMS Noise (%) (20 Hz to 20 MHz)	≤0.05	≤0.05	≤0.05	≤0.05	≤0.05
Peak-to-Peak Noise (%) (20 Hz to 20 kHz)	<0.5	<0.5	<0.5	<0.5	<0.5
Long-Term Power Stability (%) (8 hours, ±3°C)	<2	<2	<2	<2	<2
Warm-Up Time ⁴ (minutes) (from cold start)	<5	<5	<5	<5	<5
Polarization Ratio	Minimum 100:1, Vertical ±5°				
Laser Drive Modes	CW, Analog Modulation, Digital Modulation, and Computer Control				

Notes:

1. Laser-to-laser wavelength tolerance ±2 nm for all OBIS LS versions. For OBIS LX wavelength tolerance of ±5 nm except for 413LX with a 410 nm to 420 nm range; 445LX at 365 mW with a 435 nm to 450 nm range; 458LX at 365 mW with a 450 nm to 465 nm range; 522LX with a 520 nm to 530 nm range; 633LX with a 629 nm to 636 nm range; 640LX with 635 nm to 644 nm range; 660 LX with 652 nm to 665 nm range; and 685LX, 730LX, 750LX, 785LX, 808LX, and 980LX with a ±10 nm range.
2. Output power is variable in CW Mode from 1 mW (1% for LX Models) to 110% of rated power. Specifications are valid for 100% power. For LS versions all residual laser emission at 808 nm pump light or fundamental <0.1 mW.
3. For LX version the M² is measured with ModeMaster with 90% and 10% Clip Levels (not 84% and 16%) providing a higher quality beam as more beam power is used in the calculation.
4. For LS versions typical power-on delay 1 minute. For LX versions typical power-on delay of 0.1 minutes.

Looking for an OBIS laser with Single Frequency and Narrow Linewidth - see the data sheet for OBIS LX Single Frequency Lasers.

SPECIFICATIONS	OBIS 375LX	OBIS 405LX	OBIS 413LX	OBIS 422LX	OBIS 445LX
Digital Modulation					
Maximum Frequency (MHz)	75	150	150	150	150
Rise Time (10% to 90%) (nsec)	<5	<2	<2	<2	<2
Fall Time (90% to 10%) (nsec)	<5	<2	<2	<2	<2
Modulation Depth (extinction ratio)	1,000,000:1	>1,000,000:1	>1,000,000:1	>1,000,000:1	>1,000,000:1
Modulation Depth at Maximum Frequency	>250:1	>250:1	>250:1	>250:1	>250:1
Analog Modulation					
Maximum Frequency (kHz)	500	500	500	500	500
Rise Time (10% to 90%) (nsec)	<700	<700	<700	<700	<700
Fall Time (90% to 10%) (nsec)	<700	<700	<700	<700	<700
Modulation Depth (extinction ratio)	>1,000,000:1 Infinite with Analog Blanking Enabled	>1,000,000:1 Infinite with Analog Blanking Enabled	>1,000,000:1 Infinite with Analog Blanking Enabled	>1,000,000:1 Infinite with Analog Blanking Enabled	>1,000,000:1 Infinite with Analog Blanking Enabled
Static Alignment Tolerances					
Beam Position from Reference ¹ (mm)	<1	<1	<1	<1	<1
Beam Angle ¹ (mrad)	<5	<5	<5	<5	<5
Beam Waist Position at Exit Window (mm)	N/A	N/A	N/A	N/A	N/A
Laser Safety Classification	3b	3b	3b	3b	3b
ESD Protection	EN61326-1	EN61326-1	EN61326-1	EN61326-1	EN61326-1
Power Consumption (W)	Typical 5, Max. 13	Typical 5, Max. 13	Typical 5, Max. 13	Typical 5, Max. 13	Typical 5, Max. 13
Laser Head Baseplate Temperature (Max., °C)	50	50	50	50	50
Heat Dissipation of Laser Head ² (W)	Typical 5, Max. 13	Typical 5, Max. 13	Typical 5, Max. 13	Typical 5, Max. 13	Typical 5, Max. 13
Ambient Temperature ³					
Operating Condition ⁴ (°C)	10 to 50	10 to 50	10 to 50	10 to 50	10 to 50
Non-Operating Condition (°C)	-20 to +60	-20 to +60	-20 to +60	-20 to +60	-20 to +60
Shock Tolerance (g) (6 ms)	30	30	30	30	30

Notes:

1. See mechanical drawing for exit beam location.
2. Typically 85% of heat load through the base plate. See Users Manual for more detail.
3. Non-Condensing. See User Manual for more detail.
4. For LS versions laser head baseplate temperature needs to be maintained at ≤40°C.

SPECIFICATIONS	OBIS 458LX	OBIS 473LX	OBIS 488LX	OBIS 488LS
Wavelength ¹ (nm)	458	473	488	488
Output Power ² (mW)	75 365	75 200	50 100, 150	20, 60, 80, 100, 150, 200
Maximum Output Power (mW)	83 402	83 220	55 110, 165	22, 66, 88, 110, 165, 220
Spatial Mode	TEM ₀₀	TEM ₀₀	TEM ₀₀	TEM ₀₀
M ² (Beam Quality) ³	≤1.2	≤1.2	≤1.2	≤1.1
Beam Asymmetry	≤1:1.2	≤1:1.2	≤1:1.2	≤1:1.1
Beam Diameter at 1/e ² (mm)	0.7 ±0.1	0.8 ±0.1 0.7 ±0.1	0.8 ±0.1 0.6 ±0.1	0.7 ±0.05
Beam Divergence (mrad, full-angle)	<1.1	<1.1	<1.2	<1.2
Pointing Stability (μrad) (over 2 hours after warm-up and ±3°C)	<30	<30	<30	<30
Pointing Stability Over Temperature (μrad/°C)	<5	<5	<5	<5
RMS Noise (%) (20 Hz to 20 MHz)	≤0.05	≤0.05	≤0.05	≤0.25
Peak-to-Peak Noise (%) (20 Hz to 20 kHz)	<0.5	<0.5	<0.5	<1
Long-Term Power Stability (%) (8 hours, ±3°C)	<2	<2	<2	<2
Warm-Up Time ⁴ (minutes) (from cold start)	<5	<5	<5	<5
Polarization Ratio	Minimum 100:1, Vertical ±5°			
Laser Drive Modes	CW, Analog Modulation, Digital Modulation, and Computer Control			

Notes:

1. Laser-to-laser wavelength tolerance ±2 nm for all OBIS LS versions. For OBIS LX wavelength tolerance of ±5 nm except for 413LX with a 410 nm to 420 nm range; 445LX at 365 mW with a 435 nm to 450 nm range; 458LX at 365 mW with a 450 nm to 465 nm range; 522LX with a 520 nm to 530 nm range; 633LX with a 629 nm to 636 nm range; 640LX with 635 nm to 644 nm range; 660 LX with 652 nm to 665 nm range; and 685LX, 730LX, 750LX, 785LX, 808LX, and 980LX with a ±10 nm range.
2. Output power is variable in CW Mode from 1 mW (1% for LX Models) to 110% of rated power. Specifications are valid for 100% power. For LS versions all residual laser emission at 808 nm pump light or fundamental <0.1 mW.
3. For LX version the M² is measured with ModeMaster with 90% and 10% Clip Levels (not 84% and 16%) providing a higher quality beam as more beam power is used in the calculation.
4. For LS versions typical power-on delay 1 minute. For LX versions typical power-on delay of 0.1 minutes.

Looking for an OBIS laser with Single Frequency and Narrow Linewidth - see the data sheet for OBIS LX Single Frequency Lasers.

SPECIFICATIONS	OBIS 458LX	OBIS 473LX	OBIS 488LX	OBIS 488LS
Digital Modulation				
Maximum Frequency (MHz)	150	150	150	0.05
Rise Time (10% to 90%) (nsec)	<2	<2	<2	<18,000
Fall Time (90% to 10%) (nsec)	<2	<2	<2	<2000
Modulation Depth (extinction ratio)	>1,000,000:1	>1,000,000:1	>1,000,000:1	Infinite
Modulation Depth at Maximum Frequency	>250:1	>250:1	>250:1	Infinite
Analog Modulation				
Maximum Frequency (kHz)	500	500	500	100
Rise Time (10% to 90%) (nsec)	<700	<700	<700	<3000
Fall Time (90% to 10%) (nsec)	<700	<700	<700	<3000
Modulation Depth (extinction ratio)	>1,000,000:1 Infinite with Analog Blanking Enabled	>1,000,000:1 Infinite with Analog Blanking Enabled	>1,000,000:1 Infinite with Analog Blanking Enabled	>50:1
Static Alignment Tolerances				
Beam Position from Reference ¹ (mm)	<1	<1	<1	<1
Beam Angle ¹ (mrad)	<5	<5	<5	<2.5
Beam Waist Position at Exit Window (mm)	N/A	N/A	N/A	N/A
Laser Safety Classification	3b	3b	3b	3b
ESD Protection	EN61326-1	EN61326-1	EN61326-1	EN61326-1
Power Consumption (W)	Typical 5, Max. 13	Typical 5, Max. 13	Typical 5, Max. 13	Typical 8, Max. 12
Laser Head Baseplate Temperature (Max., °C)	50	50	50	40
Heat Dissipation of Laser Head ² (W)	Typical 5, Max. 13	Typical 5, Max. 13	Typical 5, Max. 13	Typical 8, Max. 12
Ambient Temperature ³				
Operating Condition ⁴ (°C)	10 to 50	10 to 50	10 to 50	15 to 40
Non-Operating Condition (°C)	-20 to +60	-20 to +60	-20 to +60	-20 to +60
Shock Tolerance (g) (6 ms)	30	30	30	30

Notes:

1. See mechanical drawing for exit beam location.
2. Typically 85% of heat load through the base plate. See Users Manual for more detail.
3. Non-Condensing. See User Manual for more detail.
4. For LS versions laser head baseplate temperature needs to be maintained at ≤40°C.

SPECIFICATIONS	OBIS 505LX	OBIS 505LS	OBIS 514LX	OBIS 514LS	OBIS 522LX
Wavelength ¹ (nm)	505	505	514	514	522
Output Power ² (mW)	50	30, 100, 150	40	20, 100, 150	40
Maximum Output Power (mW)	55	33, 110, 165	44	22, 110, 165	44
Spatial Mode	TEM ₀₀	TEM ₀₀	TEM ₀₀	TEM ₀₀	TEM ₀₀
M ² (Beam Quality) ³	≤1.2	≤1.1	≤1.2	≤1.1	≤1.2
Beam Asymmetry	≤1:1.2	≤1:1.1	≤1:1.2	≤1:1.1	≤1:1.2
Beam Diameter at 1/e ² (mm)	0.7 ±0.1	0.7 ±0.05	0.6 ±0.1	0.7 ±0.05	0.6 ±0.1
Beam Divergence (mrad, full-angle)	<1.2	<1.2	<1.1	<1.2	<1.1
Pointing Stability (μrad) (over 2 hours after warm-up and ±3°C)	<30	<30	<30	<30	<30
Pointing Stability Over Temperature (μrad/°C)	<5	<5	<5	<5	<5
RMS Noise (%) (20 Hz to 20 MHz)	≤0.05	≤0.25	≤0.05	≤0.25	≤0.05
Peak-to-Peak Noise (%) (20 Hz to 20 kHz)	<0.5	<1	<1	<1	<1
Long-Term Power Stability (%) (8 hours, ±3°C)	<2	<2	<2	<2	<2
Warm-Up Time ⁴ (minutes) (from cold start)	<5	<5	<5	<5	<5
Polarization Ratio	Minimum 100:1, Vertical ±5°				
Laser Drive Modes	CW, Analog Modulation, Digital Modulation, and Computer Control				

Notes:

1. Laser-to-laser wavelength tolerance ±2 nm for all OBIS LS versions. For OBIS LX wavelength tolerance of ±5 nm except for 413LX with a 410 nm to 420 nm range; 445LX at 365 mW with a 435 nm to 450 nm range; 458LX at 365 mW with a 450 nm to 465 nm range; 522LX with a 520 nm to 530 nm range; 633LX with a 629 nm to 636 nm range; 640LX with 635 nm to 644 nm range; 660 LX with 652 nm to 665 nm range; and 685LX, 730LX, 750LX, 785LX, 808LX, and 980LX with a ±10 nm range.
2. Output power is variable in CW Mode from 1 mW (1% for LX Models) to 110% of rated power. Specifications are valid for 100% power. For LS versions all residual laser emission at 808 nm pump light or fundamental <0.1 mW.
3. For LX version the M² is measured with ModeMaster with 90% and 10% Clip Levels (not 84% and 16%) providing a higher quality beam as more beam power is used in the calculation.
4. For LS versions typical power-on delay 1 minute. For LX versions typical power-on delay of 0.1 minutes.

Looking for an OBIS laser with Single Frequency and Narrow Linewidth - see the data sheet for OBIS LX Single Frequency Lasers.

SPECIFICATIONS	OBIS 505LX	OBIS 505LS	OBIS 514LX	OBIS 514LS	OBIS 522LX
Digital Modulation					
Maximum Frequency (MHz)	150	0.05	100	0.05	100
Rise Time (10% to 90%) (nsec)	<2	<18,000	<3.5	<18,000	<3.5
Fall Time (90% to 10%) (nsec)	<2.5	<2000	<2	<2000	<2
Modulation Depth (extinction ratio)	>1,000,000:1	Infinite	>1,000,000:1	Infinite	>1,000,000:1
Modulation Depth at Maximum Frequency	>250:1	Infinite	>250:1	Infinite	>250:1
Analog Modulation					
Maximum Frequency (kHz)	500	100	500	100	500
Rise Time (10% to 90%) (nsec)	<700	<3000	<700	<3000	<700
Fall Time (90% to 10%) (nsec)	<700	<3000	<700	<3000	<700
Modulation Depth (extinction ratio)	>1,000,000:1 Infinite with Analog Blanking Enabled	>50:1	>1,000,000:1 Infinite with Analog Blanking Enabled	>50:1	>1,000,000:1 Infinite with Analog Blanking Enabled
Static Alignment Tolerances					
Beam Position from Reference ¹ (mm)	<1	<0.5	<1	<0.5	<1
Beam Angle ¹ (mrad)	<5	<2.5	<5	<2.5	<5
Beam Waist Position at Exit Window (mm)	N/A	±200	N/A	±200	N/A
Laser Safety Classification	3b	3b	3b	3b	3b
ESD Protection	EN61326-1	EN61326-1	EN61326-1	EN61326-1	EN61326-1
Power Consumption (W)	Typical 5, Max. 13	Typical 8, Max. 12	Typical 5, Max. 13	Typical 8, Max. 12	Typical 5, Max. 13
Laser Head Baseplate Temperature (Max., °C)	50	40	50	40	50
Heat Dissipation of Laser Head ² (W)	Typical 5, Max. 13	Typical 8, Max. 12	Typical 5, Max. 13	Typical 8, Max. 12	Typical 5, Max. 13
Ambient Temperature ³					
Operating Condition ⁴ (°C)	10 to 50	15 to 40	10 to 50	15 to 40	10 to 50
Non-Operating Condition (°C)	-20 to +60	-20 to +60	-20 to +60	-20 to +60	-20 to +60
Shock Tolerance (g) (6 ms)	30	30	30	30	30

Notes:

1. See mechanical drawing for exit beam location.
2. Typically 85% of heat load through the base plate. See Users Manual for more detail.
3. Non-Condensing. See User Manual for more detail.
4. For LS versions laser head baseplate temperature needs to be maintained at ≤40°C.

SPECIFICATIONS	OBIS 532LS	OBIS 552LS	OBIS 561LS	OBIS 594LS
Wavelength ¹ (nm)	532	552	561	594
Output Power ² (mW)	20, 50, 80, 100, 150, 200	20, 60, 80, 100, 150	20, 50, 80, 100, 150, 200	20, 60, 100
Maximum Output Power (mW)	22, 55, 88, 110, 165, 220	22, 66, 88, 110, 165	22, 55, 88, 110, 165, 220	22, 66, 110
Spatial Mode	TEM ₀₀	TEM ₀₀	TEM ₀₀	TEM ₀₀
M ² (Beam Quality) ³	≤1.1	≤1.1	≤1.1	≤1.1
Beam Asymmetry	≤1:1.1	≤1:1.1	≤1:1.1	≤1:1.1
Beam Diameter at 1/e ² (mm)	0.7 ±0.05	0.7 ±0.05	0.7 ±0.05	0.7 ±0.05
Beam Divergence (mrad, full-angle)	<1.2	<1.2	<1.2	<1.3
Pointing Stability (μrad) (over 2 hours after warm-up and ±3°C)	<30	<30	<30	<30
Pointing Stability Over Temperature (μrad/°C)	<5	<5	<5	<5
RMS Noise (%) (20 Hz to 20 MHz)	≤0.25	≤0.25	≤0.25	≤0.25
Peak-to-Peak Noise (%) (20 Hz to 20 kHz)	<1	<1	<1	<1
Long-Term Power Stability (%) (8 hours, ±3°C)	<2	<2	<2	<2
Warm-Up Time ⁴ (minutes) (from cold start)	<5	<5	<5	<5
Polarization Ratio	Minimum 100:1, Vertical ±5°			
Laser Drive Modes	CW, Analog Modulation, Digital Modulation, and Computer Control			

Notes:

1. Laser-to-laser wavelength tolerance ±2 nm for all OBIS LS versions. For OBIS LX wavelength tolerance of ±5 nm except for 413LX with a 410 nm to 420 nm range; 445LX at 365 mW with a 435 nm to 450 nm range; 458LX at 365 mW with a 450 nm to 465 nm range; 522LX with a 520 nm to 530 nm range; 633LX with a 629 nm to 636 nm range; 640LX with 635 nm to 644 nm range; 660 LX with 652 nm to 665 nm range; and 685LX, 730LX, 750LX, 785LX, 808LX, and 980LX with a ±10 nm range.
2. Output power is variable in CW Mode from 1 mW (1% for LX Models) to 110% of rated power. Specifications are valid for 100% power. For LS versions all residual laser emission at 808 nm pump light or fundamental <0.1 mW.
3. For LX version the M² is measured with ModeMaster with 90% and 10% Clip Levels (not 84% and 16%) providing a higher quality beam as more beam power is used in the calculation.
4. For LS versions typical power-on delay 1 minute. For LX versions typical power-on delay of 0.1 minutes.

Looking for an OBIS laser with Single Frequency and Narrow Linewidth - see the data sheet for OBIS LX Single Frequency Lasers.

SPECIFICATIONS	OBIS 532LS	OBIS 552LS	OBIS 561LS	OBIS 594LS
Digital Modulation				
Maximum Frequency (MHz)	0.05	0.05	0.05	0.05
Rise Time (10% to 90%) (nsec)	<18,000	<18,000	<18,000	<18,000
Fall Time (90% to 10%) (nsec)	<2000	<2000	<2000	<2000
Modulation Depth (extinction ratio)	Infinite	Infinite	Infinite	Infinite
Modulation Depth at Maximum Frequency	Infinite	Infinite	Infinite	Infinite
Analog Modulation				
Maximum Frequency (kHz)	100	100	100	100
Rise Time (10% to 90%) (nsec)	<3000	<3000	<3000	<3000
Fall Time (90% to 10%) (nsec)	<3000	<3000	<3000	<3000
Modulation Depth (extinction ratio)	>50:1	>50:1	>50:1	>50:1
Static Alignment Tolerances				
Beam Position from Reference ¹ (mm)	<0.5	<0.5	<0.5	<0.5
Beam Angle ¹ (mrad)	<2.5	<2.5	<2.5	<2.5
Beam Waist Position at Exit Window (mm)	±200	±200	±200	±200
Laser Safety Classification	3b	3b	3b	3b
ESD Protection	EN61326-1	EN61326-1	EN61326-1	EN61326-1
Power Consumption (W)	Typical 8, Max. 12	Typical 8, Max. 12	Typical 8, Max. 12	Typical 8, Max. 12
Laser Head Baseplate Temperature (Max., °C)	40	40	40	40
Heat Dissipation of Laser Head ² (W)	Typical 8, Max. 12	Typical 8, Max. 12	Typical 8, Max. 12	Typical 8, Max. 12
Ambient Temperature ³				
Operating Condition ⁴ (°C)	15 to 40	15 to 40	15 to 40	15 to 40
Non-Operating Condition (°C)	-20 to +60	-20 to +60	-20 to +60	-20 to +60
Shock Tolerance (g) (6 ms)	30	30	30	30

Notes:

1. See mechanical drawing for exit beam location.
2. Typically 85% of heat load through the base plate. See Users Manual for more detail.
3. Non-Condensing. See User Manual for more detail.
4. For LS versions laser head baseplate temperature needs to be maintained at ≤40°C.

SPECIFICATIONS	OBIS 633LX	OBIS 637LX	OBIS 640LX	OBIS 647LX
Wavelength ¹ (nm)	633	637	640	647
Output Power ² (mW)	70	140, 160	40, 100	120
Maximum Output Power (mW)	77	154, 176	44, 110	132
Spatial Mode	TEM ₀₀	TEM ₀₀	TEM ₀₀	TEM ₀₀
M ² (Beam Quality) ³	≤1.2	≤1.2	≤1.2	≤1.2
Beam Asymmetry	≤1:1.2	≤1:1.2	≤1:1.2	≤1:1.2
Beam Diameter at 1/e ² (mm)	0.7 ±0.1	0.7 ±0.1	0.8 ±0.1	0.8 ±0.1
Beam Divergence (mrad, full-angle)	<1.3	<1.3	<1.3	<1.3
Pointing Stability (μrad) (over 2 hours after warm-up and ±3°C)	<30	<30	<30	<30
Pointing Stability Over Temperature (μrad/°C)	<5	<5	<5	<5
RMS Noise (%) (20 Hz to 20 MHz)	≤0.05	≤0.05	≤0.05	≤0.05
Peak-to-Peak Noise (%) (20 Hz to 20 kHz)	<0.5	<0.5	<0.5	<0.5
Long-Term Power Stability (%) (8 hours, ±3°C)	<2	<2	<2	<2
Warm-Up Time ⁴ (minutes) (from cold start)	<5	<5	<5	<5
Polarization Ratio	Minimum 100:1, Vertical ±5°			
Laser Drive Modes	CW, Analog Modulation, Digital Modulation, and Computer Control			

Notes:

1. Laser-to-laser wavelength tolerance ±2 nm for all OBIS LS versions. For OBIS LX wavelength tolerance of ±5 nm except for 413LX with a 410 nm to 420 nm range; 445LX at 365 mW with a 435 nm to 450 nm range; 458LX at 365 mW with a 450 nm to 465 nm range; 522LX with a 520 nm to 530 nm range; 633LX with a 629 nm to 636 nm range; 640LX with 635 nm to 644 nm range; 660 LX with 652 nm to 665 nm range; and 685LX, 730LX, 750LX, 785LX, 808LX, and 980LX with a ±10 nm range.
2. Output power is variable in CW Mode from 1 mW (1% for LX Models) to 110% of rated power. Specifications are valid for 100% power. For LS versions all residual laser emission at 808 nm pump light or fundamental <0.1 mW.
3. For LX version the M² is measured with ModeMaster with 90% and 10% Clip Levels (not 84% and 16%) providing a higher quality beam as more beam power is used in the calculation.
4. For LS versions typical power-on delay 1 minute. For LX versions typical power-on delay of 0.1 minutes.

Looking for an OBIS laser with Single Frequency and Narrow Linewidth - see the data sheet for OBIS LX Single Frequency Lasers.

SPECIFICATIONS	OBIS 633LX	OBIS 637LX	OBIS 640LX	OBIS 647LX
Digital Modulation				
Maximum Frequency (MHz)	150	150	150	150
Rise Time (10% to 90%) (nsec)	<2	<2	<2	<2
Fall Time (90% to 10%) (nsec)	<2	<2	<2	<2
Modulation Depth (extinction ratio)	>1,000,000:1	>1,000,000:1	>1,000,000:1	>1,000,000:1
Modulation Depth at Maximum Frequency	>250:1	>250:1	>250:1	>250:1
Analog Modulation				
Maximum Frequency (kHz)	500	500	500	500
Rise Time (10% to 90%) (nsec)	<700	<700	<700	<700
Fall Time (90% to 10%) (nsec)	<700	<700	<700	<700
Modulation Depth (extinction ratio)	>1,000,000:1 Infinite with Analog Blanking Enabled	>1,000,000:1 Infinite with Analog Blanking Enabled	>1,000,000:1 Infinite with Analog Blanking Enabled	>1,000,000:1 Infinite with Analog Blanking Enabled
Static Alignment Tolerances				
Beam Position from Reference ¹ (mm)	<1	<1	<1	<1
Beam Angle ¹ (mrad)	<5	<5	<5	<5
Beam Waist Position at Exit Window (mm)	N/A	N/A	N/A	N/A
Laser Safety Classification	3b	3b	3b	3b
ESD Protection	EN61326-1	EN61326-1	EN61326-1	EN61326-1
Power Consumption (W)	Typical 5, Max. 13	Typical 5, Max. 13	Typical 5, Max. 13	Typical 5, Max. 13
Laser Head Baseplate Temperature (Max., °C)	50	50	50	50
Heat Dissipation of Laser Head ² (W)	Typical 5, Max. 13	Typical 5, Max. 13	Typical 5, Max. 13	Typical 5, Max. 13
Ambient Temperature ³				
Operating Condition ⁴ (°C)	10 to 50	10 to 50	10 to 50	10 to 50
Non-Operating Condition (°C)	-20 to +60	-20 to +60	-20 to +60	-20 to +60
Shock Tolerance (g) (6 ms)	30	30	30	30

Notes:

1. See mechanical drawing for exit beam location.
2. Typically 85% of heat load through the base plate. See Users Manual for more detail.
3. Non-Condensing. See User Manual for more detail.
4. For LS versions laser head baseplate temperature needs to be maintained at ≤40°C.

SPECIFICATIONS	OBIS 660LX	OBIS 685LX	OBIS 690LX	OBIS 730LX
Wavelength ¹ (nm)	660	685	690	730
Output Power ² (mW)	100	40	160	30
Maximum Output Power (mW)	110	44	176	33
Spatial Mode	TEM ₀₀	TEM ₀₀	TEM ₀₀	TEM ₀₀
M ² (Beam Quality) ³	≤1.2	≤1.2	≤1.2	≤1.2
Beam Asymmetry	≤1:1.2	≤1:1.2	≤1:1.2	≤1:1.2
Beam Diameter at 1/e ² (mm)	0.9 ±0.1	0.8 ±0.1	0.8 ±0.1	0.8 ±0.1
Beam Divergence (mrad, full-angle)	<1.3	<1.3	<1.3	<1.3
Pointing Stability (μrad) (over 2 hours after warm-up and ±3°C)	<30	<30	<30	<30
Pointing Stability Over Temperature (μrad/°C)	<5	<5	<5	<5
RMS Noise (%) (20 Hz to 20 MHz)	≤0.05	≤0.05	≤0.05	≤0.05
Peak-to-Peak Noise (%) (20 Hz to 20 kHz)	<0.5	<0.5	<0.5	<0.5
Long-Term Power Stability (%) (8 hours, ±3°C)	<2	<2	<2	<2
Warm-Up Time ⁴ (minutes) (from cold start)	<5	<5	<5	<5
Polarization Ratio	Minimum 100:1, Vertical ±5°			
Laser Drive Modes	CW, Analog Modulation, Digital Modulation, and Computer Control			

Notes:

1. Laser-to-laser wavelength tolerance ±2 nm for all OBIS LS versions. For OBIS LX wavelength tolerance of ±5 nm except for 413LX with a 410 nm to 420 nm range; 445LX at 365 mW with a 435 nm to 450 nm range; 458LX at 365 mW with a 450 nm to 465 nm range; 522LX with a 520 nm to 530 nm range; 633LX with a 629 nm to 636 nm range; 640LX with 635 nm to 644 nm range; 660 LX with 652 nm to 665 nm range; and 685LX, 730LX, 750LX, 785LX, 808LX, and 980LX with a ±10 nm range.
2. Output power is variable in CW Mode from 1 mW (1% for LX Models) to 110% of rated power. Specifications are valid for 100% power. For LS versions all residual laser emission at 808 nm pump light or fundamental <0.1 mW.
3. For LX version the M² is measured with ModeMaster with 90% and 10% Clip Levels (not 84% and 16%) providing a higher quality beam as more beam power is used in the calculation.
4. For LS versions typical power-on delay 1 minute. For LX versions typical power-on delay of 0.1 minutes.

Looking for an OBIS laser with Single Frequency and Narrow Linewidth - see the data sheet for OBIS LX Single Frequency Lasers.

SPECIFICATIONS	OBIS 660LX	OBIS 685LX	OBIS 690LX	OBIS 730LX
Digital Modulation				
Maximum Frequency (MHz)	150	150	150	150
Rise Time (10% to 90%) (nsec)	<2	<2	<2	<2
Fall Time (90% to 10%) (nsec)	<2	<2	<2	<2
Modulation Depth (extinction ratio)	>1,000,000:1	>1,000,000:1	>1,000,000:1	>1,000,000:1
Modulation Depth at Maximum Frequency	>250:1	>250:1	>250:1	>250:1
Analog Modulation				
Maximum Frequency (kHz)	500	500	500	500
Rise Time (10% to 90%) (nsec)	<700	<700	<700	<700
Fall Time (90% to 10%) (nsec)	<700	<700	<700	<700
Modulation Depth (extinction ratio)	>1,000,000:1 Infinite with Analog Blanking Enabled	>1,000,000:1 Infinite with Analog Blanking Enabled	>1,000,000:1 Infinite with Analog Blanking Enabled	>1,000,000:1 Infinite with Analog Blanking Enabled
Static Alignment Tolerances				
Beam Position from Reference ¹ (mm)	<1	<1	<1	<1
Beam Angle ¹ (mrad)	<5	<5	<5	<5
Beam Waist Position at Exit Window (mm)	N/A	N/A	N/A	N/A
Laser Safety Classification	3b	3b	3b	3b
ESD Protection	EN61326-1	EN61326-1	EN61326-1	EN61326-1
Power Consumption (W)	Typical 5, Max. 13	Typical 5, Max. 13	Typical 5, Max. 13	Typical 5, Max. 13
Laser Head Baseplate Temperature (Max., °C)	50	50	50	50
Heat Dissipation of Laser Head ² (W)	Typical 5, Max. 13	Typical 5, Max. 13	Typical 5, Max. 13	Typical 5, Max. 13
Ambient Temperature ³				
Operating Condition ⁴ (°C)	10 to 50	10 to 50	10 to 50	10 to 50
Non-Operating Condition (°C)	-20 to +60	-20 to +60	-20 to +60	-20 to +60
Shock Tolerance (g) (6 ms)	30	30	30	30

Notes:

1. See mechanical drawing for exit beam location.
2. Typically 85% of heat load through the base plate. See Users Manual for more detail.
3. Non-Condensing. See User Manual for more detail.
4. For LS versions laser head baseplate temperature needs to be maintained at ≤40°C.

SPECIFICATIONS	OBIS 750LX	OBIS 785LX	OBIS 808LX	OBIS 980LX
Wavelength ¹ (nm)	750	785	808	980
Output Power ² (mW)	20	100	150	100, 150
Maximum Output Power (mW)	22	110	165	110, 165
Spatial Mode	TEM ₀₀	TEM ₀₀	TEM ₀₀	TEM ₀₀
M ² (Beam Quality) ³	≤1.2	≤1.2	≤1.2	≤1.4
Beam Asymmetry	≤1:1.2	≤1:1.2	≤1:1.2	≤1:1.2
Beam Diameter at 1/e ² (mm)	0.7 ±0.1	0.7 ±0.1	0.7 ±0.1	0.6 ±0.1
Beam Divergence (mrad, full-angle)	<1.7	<1.7	<2.1	<3.5
Pointing Stability (μrad) (over 2 hours after warm-up and ±3°C)	<30	<30	<30	<30
Pointing Stability Over Temperature (μrad/°C)	<5	<5	<5	<5
RMS Noise (%) (20 Hz to 20 MHz)	≤0.05	≤0.05	≤0.05	≤0.05
Peak-to-Peak Noise (%) (20 Hz to 20 kHz)	<0.5	<0.5	<0.5	<0.5
Long-Term Power Stability (%) (8 hours, ±3°C)	<2	<2	<2	<2
Warm-Up Time ⁴ (minutes) (from cold start)	<5	<5	<5	<5
Polarization Ratio	– ⁵	Minimum 100:1, Vertical ±5°	Minimum 100:1, Vertical ±5°	Minimum 100:1, Vertical ±5°
Laser Drive Modes	CW, Analog Modulation, Digital Modulation, and Computer Control			

Notes:

1. Laser-to-laser wavelength tolerance ±2 nm for all OBIS LS versions. For OBIS LX wavelength tolerance of ±5 nm except for 413LX with a 410 nm to 420 nm range; 445LX at 365 mW with a 435 nm to 450 nm range; 458LX at 365 mW with a 450 nm to 465 nm range; 522LX with a 520 nm to 530 nm range; 633LX with a 629 nm to 636 nm range; 640LX with 635 nm to 644 nm range; 660 LX with 652 nm to 665 nm range; and 685LX, 730LX, 750LX, 785LX, 808LX, and 980LX with a ±10 nm range.
2. Output power is variable in CW Mode from 1 mW (1% for LX Models) to 110% of rated power. Specifications are valid for 100% power. For LS versions all residual laser emission at 808 nm pump light or fundamental <0.1 mW.
3. For LX version the M² is measured with ModeMaster with 90% and 10% Clip Levels (not 84% and 16%) providing a higher quality beam as more beam power is used in the calculation.
4. For LS versions typical power-on delay 1 minute. For LX versions typical power-on delay of 0.1 minutes.
5. Varies and not measured.

Looking for an OBIS laser with Single Frequency and Narrow Linewidth - see the data sheet for OBIS LX Single Frequency Lasers.

SPECIFICATIONS	OBIS 750LX	OBIS 785LX	OBIS 808LX	OBIS 980LX
Digital Modulation				
Maximum Frequency (MHz)	150	150	150	1
Rise Time (10% to 90%) (nsec)	<2	<2	<2	<300
Fall Time (90% to 10%) (nsec)	<2	<2	<2	<300
Modulation Depth (extinction ratio)	>1,000,000:1	>1,000,000:1	>1,000,000:1	>1,000,000:1
Modulation Depth at Maximum Frequency	>250:1	>250:1	>250:1	>250:1
Analog Modulation				
Maximum Frequency (kHz)	500	500	500	450
Rise Time (10% to 90%) (nsec)	<700	<700	<700	<800
Fall Time (90% to 10%) (nsec)	<700	<700	<700	<800
Modulation Depth (extinction ratio)	>1,000,000:1 Infinite with Analog Blanking Enabled	>1,000,000:1 Infinite with Analog Blanking Enabled	>1,000,000:1 Infinite with Analog Blanking Enabled	>1,000,000:1 Infinite with Analog Blanking Enabled
Static Alignment Tolerances				
Beam Position from Reference ¹ (mm)	<1	<1	<1	<1
Beam Angle ¹ (mrad)	<5	<5	<5	<5
Beam Waist Position at Exit Window (mm)	N/A	N/A	N/A	N/A
Laser Safety Classification	3b	3b	3b	3b
ESD Protection	EN61326-1	EN61326-1	EN61326-1	EN61326-1
Power Consumption (W)	Typical 5, Max. 13	Typical 5, Max. 13	Typical 5, Max. 13	Typical 5, Max. 13
Laser Head Baseplate Temperature (Max., °C)	50	50	50	50
Heat Dissipation of Laser Head ² (W)	Typical 5, Max. 13	Typical 5, Max. 13	Typical 5, Max. 13	Typical 5, Max. 13
Ambient Temperature ³				
Operating Condition ⁴ (°C)	10 to 50	10 to 50	10 to 50	10 to 50
Non-Operating Condition (°C)	-20 to +60	-20 to +60	-20 to +60	-20 to +60
Shock Tolerance (g) (6 ms)	30	30	30	30

Notes:

1. See mechanical drawing for exit beam location.
2. Typically 85% of heat load through the base plate. See Users Manual for more detail.
3. Non-Condensing. See User Manual for more detail.
4. For LS versions laser head baseplate temperature needs to be maintained at ≤40°C.

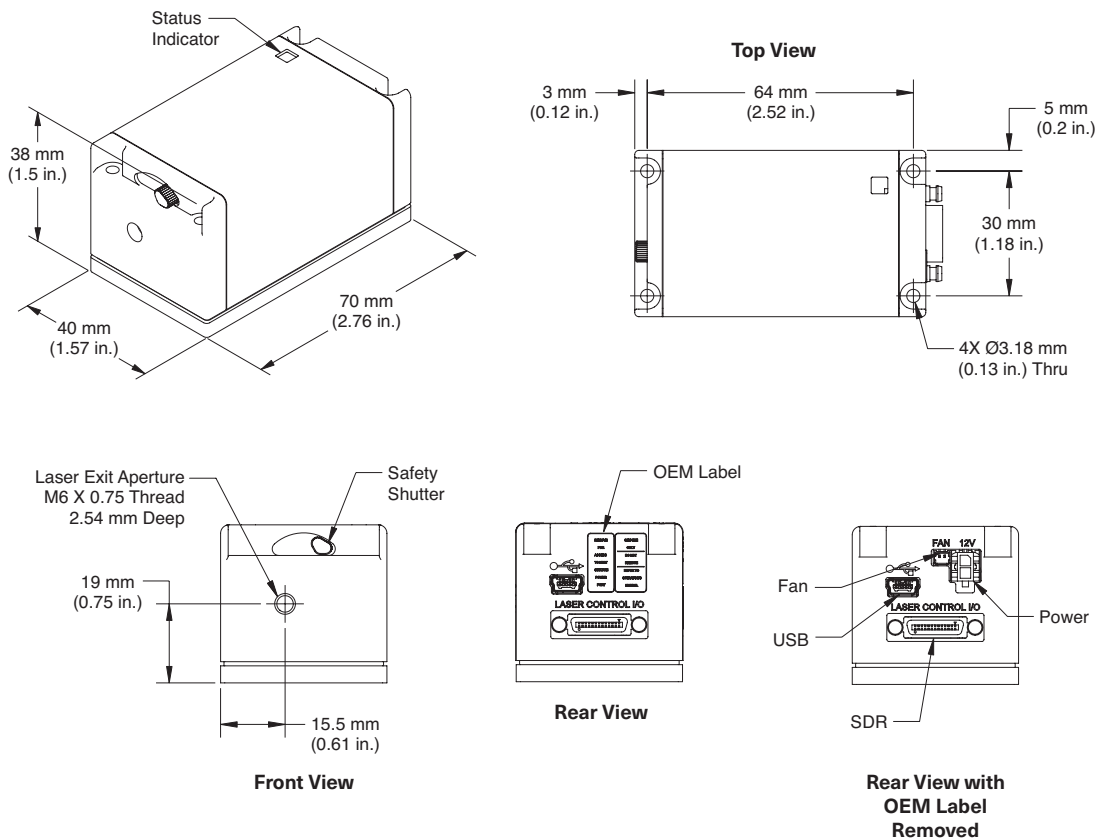
UTILITY AND ENVIRONMENTAL REQUIREMENTS	
Operating Voltage ¹ (VDC)	12 ±2
Dimensions (L x W x H)	
Laser	70 x 40 x 38 mm (2.75 x 1.57 x 1.5 in.)
OBIS Remote (optional)	105 x 68 x 36 mm (4.13 x 2.68 x 1.42 in.)
DC Power Supply (optional)	105 x 42 x 33 mm (4.13 x 1.65 x 1.3 in.)
Cable, Laser to OBIS Remote (optional)	1 m (3.28 ft.) (3 meter and 0.3 meter sold separately)
Weight	
Laser	0.16 kg (0.35 lbs.)
OBIS Remote (optional)	0.24 kg (0.53 lbs.)
DC Power Supply (optional)	0.36 kg (0.79 lbs.)
Cable, Laser to OBIS Remote (optional)	0.1 kg (0.22 lbs.) for 1 meter

Notes:

1. If user supplied, the DC power supply has to meet the following requirements: power >20W; ripple <5% peak-to-peak; line regulation <0.5%.

Mechanical Specifications

OBIS LX/LS



OBIS LX/LS FP

Fiber Pigtailed Lasers in a Plug-and-Play Platform

The OBIS LX/LS Fiber Pigtailed (OBIS FP) suite of lasers delivers the simplicity of a plug-and-play platform for a wide range of wavelengths from the violet to the near IR. The fiber pigtail termination is complete with a FC/APC connector. The OBIS LX/LS FP lasers are based on the OBIS LX/LS laser platform, offering the same speed-to-market benefits.

The OBIS LX/LS FP lasers offer superior performance, reliability, and hands-free operation. These lasers combine single-mode polarization maintaining fiber with an FC/APC connector for a high-quality low-noise laser beam output. They utilize proprietary fiber technology to provide superior lifetimes, and permanent fiber attachments for guaranteed power over time.



FEATURES

- All OBIS advantages with fiber delivery
- Single mode, polarization maintaining fiber
- Extended life fiber design

APPLICATIONS

- Confocal Microscopy
- DNA Sequencing
- Flow Cytometry
- Medical Imaging and Instrumentation

SPECIFICATIONS	OBIS FP 375LX	OBIS FP 405LX	OBIS FP 413LX	OBIS FP 445LX
Wavelength ¹ (nm)	375	405	413	445
Output Power ² (mW)	25	50, 100	50	45, 200
Maximum Output Power (mW)	28	55, 110	55	50, 230
Output from Fiber	FC/APC; 8° angled ⁵	FC/APC; 8° angled ⁵	FC/APC; 8° angled ⁵	FC/APC; 8° angled ⁵
Fiber Cable Type	3 mm Mono-Coil	3 mm Mono-Coil	3 mm Mono-Coil	3 mm Mono-Coil
Fiber Cable Length (m) (minimum)	1	1 (optional 2 m)	1	1
Fiber Numerical Aperture (NA) (1/e ²)	0.05	0.05	0.05	0.05
Fiber Core Diameter (μm) (typical)	3.5	3.5	3.5	3.5
Spatial Mode	TEM ₀₀	TEM ₀₀	TEM ₀₀	TEM ₀₀
M ² (Beam Quality) ³	≤1.1	≤1.1	≤1.1	≤1.1
Beam Asymmetry	≤1:1.1	≤1:1.1	≤1:1.1	≤1:1.1
RMS Noise (%) (20 Hz to 20 MHz)	≤0.2	≤0.2	≤0.2	≤0.2
Peak-to-Peak Noise (%) (20 Hz to 20 kHz)	≤2	≤2	≤2	≤2
Long-Term Power Stability (%) (8 hours, ±3°C)	<2	<2	<2	<2
Long-Term Output Power Average (%/hrs.)	≤10/1000	≤5/1000	≤5/1000	≤5/1000 ≤10/1000
Warm-Up Time ⁴ (minutes) (from cold start)	<5	<5	<5	<5
Polarization Ratio	Minimum 50:1	Minimum 100:1	Minimum 100:1	Minimum 100:1
Laser Drive Modes	CW, Analog Modulation, Digital Modulation, and Computer Control			

Notes:

1. Laser-to-laser wavelength tolerance ±2 nm for all OBIS LS versions. For OBIS LX wavelength tolerance of ±5 nm except for 413LX with a 410 nm to 420 nm range; 445LX at 200 mW with a 435 nm to 450 nm range; 458LX at 200 mW with a 450 nm to 465 nm range; 522LX with a 520 nm to 530 nm range; 633LX with a 629 nm to 636 nm range; 640LX with 635 nm to 644 nm range; 660LX with 652 nm to 665 nm range; and 685LX, 730LX, 750LX, 785LX, 808LX, and 980LX with a ±10 nm range.
2. Output power is variable in CW Mode from 1 mW (1% for LX Models) to 110% of rated power. Specifications are valid for 100% power.
3. M² measured with ModeMaster with 90/10 clip levels.
4. For LS versions typical power-on delay 1 minute. For LX versions typical power-on delay of 0.1 minutes.
5. Fiber FC/APC connector output not compatible for patchcord-to-patchcord connection.

Looking for an OBIS laser with Single Frequency and Narrow Linewidth - see the data sheet for OBIS LX Single Frequency Lasers.

SPECIFICATIONS	OBIS FP 375LX	OBIS FP 405LX	OBIS FP 413LX	OBIS FP 445LX
Digital Modulation				
Maximum Frequency (MHz)	75	150	150	150
Rise Time (10% to 90%) (nsec)	<5	<2	<2	<2
Fall Time (90% to 10%) (nsec)	<5	<2	<2	<2
Modulation Depth (extinction ratio)	>1,000,000:1	>1,000,000:1	>1,000,000:1	>1,000,000:1
Modulation Depth at Maximum Frequency	>250:1	>250:1	>250:1	>250:1
Analog Modulation				
Maximum Frequency (kHz)	500	500	500	500
Rise Time (10% to 90%) (nsec)	<700	<700	<700	<700
Fall Time (90% to 10%) (nsec)	<700	<700	<700	<700
Modulation Depth (extinction ratio)	>1,000,000:1 Infinite with Analog Blanking Enabled	>1,000,000:1 Infinite with Analog Blanking Enabled	>1,000,000:1 Infinite with Analog Blanking Enabled	>1,000,000:1 Infinite with Analog Blanking Enabled
Laser Safety Classification	3b	3b	3b	3b
ESD Protection	EN61326-1	EN61326-1	EN61326-1	EN61326-1
Power Consumption (W)	Typical 5, Max. 13	Typical 5, Max. 13	Typical 5, Max. 13	Typical 5, Max. 13
Laser Head Baseplate Temperature (Max., °C)	50	50	50	50
Heat Dissipation of Laser Head ¹ (W)	Typical 5, Max. 13	Typical 5, Max. 13	Typical 5, Max. 13	Typical 5, Max. 13
Ambient Temperature ²				
Operating Condition ³ (°C)	10 to 50	10 to 50	10 to 50	10 to 50
Non-Operating Condition (°C)	-20 to +60	-20 to +60	-20 to +60	-20 to +60
Shock Tolerance (g) (6 ms)	30	30	30	30

Notes:

1. Typically 85% of heat load through the base plate. See Users Manual for more detail.
2. Non-Condensing. See User Manual for more detail.
3. For LS versions laser head baseplate temperature needs to be maintained at ≤40°C.

SPECIFICATIONS	OBIS FP 458LX	OBIS FP 473LX	OBIS FP 488LX	OBIS FP 488LS
Wavelength ¹ (nm)	458	473	488	488
Output Power ² (mW)	200	50	30, 100	15 40, 60, 80 120, 150
Maximum Output Power (mW)	220	55	33, 110	17 44, 66, 88 132, 165
Output from Fiber	FC/APC; 8° angled ⁵	FC/APC; 8° angled ⁵	FC/APC; 8° angled ⁵	FC/APC; FC/APC; 8° angled 8° angled ⁵
Fiber Cable Type	3 mm Mono-Coil	3 mm Mono-Coil	3 mm Mono-Coil	5 mm Protective Tubing
Fiber Cable Length (m) (minimum)	1	1	1	0.94
Fiber Numerical Aperture (NA) (1/e ²)	0.05	0.05	0.05	0.1 0.06
Fiber Core Diameter (μm) (typical)	3.5	3.5	3.5	4
Spatial Mode	TEM ₀₀	TEM ₀₀	TEM ₀₀	TEM ₀₀
M ² (Beam Quality) ³	≤1.1	≤1.1	≤1.1	≤1.1
Beam Asymmetry	≤1:1.1	≤1:1.1	≤1:1.1	≤1:1.1
RMS Noise (%) (20 Hz to 20 MHz)	≤0.2	≤0.2	≤0.2	≤0.25
Peak-to-Peak Noise (%) (20 Hz to 20 kHz)	≤2	≤2	≤2	≤1
Long-Term Power Stability (%) (8 hours, ±3°C)	<2	<2	<2	<2
Long-Term Output Power Average (%/hrs.)	≤10/1000	≤4/1000	≤4/1000	–
Warm-Up Time ⁴ (minutes) (from cold start)	<5	<5	<5	<5
Polarization Ratio	Minimum 100:1	Minimum 100:1	Minimum 100:1	Minimum 100:1
Laser Drive Modes	CW, Analog Modulation, Digital Modulation, and Computer Control			

Notes:

1. Laser-to-laser wavelength tolerance ±2 nm for all OBIS LS versions. For OBIS LX wavelength tolerance of ±5 nm except for 413LX with a 410 nm to 420 nm range; 445LX at 200 mW with a 435 nm to 450 nm range; 458LX at 200 mW with a 450 nm to 465 nm range; 522LX with a 520 nm to 530 nm range; 633LX with a 629 nm to 636 nm range; 640LX with 635 nm to 644 nm range; 660LX with 652 nm to 665 nm range; and 685LX, 730LX, 750LX, 785LX, 808LX, and 980LX with a ±10 nm range.
2. Output power is variable in CW Mode from 1 mW (1% for LX Models) to 110% of rated power. Specifications are valid for 100% power.
3. M² measured with ModeMaster with 90/10 clip levels.
4. For LS versions typical power-on delay 1 minute. For LX versions typical power-on delay of 0.1 minutes.
5. FC/APC Fiber has extended-life interface end cap for superior reliability. The fiber end cap allows the beam to expand inside the fiber before the glass-to-air interface allowing for longer lifetimes while providing Single Mode Polarization-Maintaining output. Fiber FC/APC not compatible for patchcord-to-patchcord connections.

Looking for an OBIS laser with Single Frequency and Narrow Linewidth - see the data sheet for OBIS LX Single Frequency Lasers.

SPECIFICATIONS	OBIS FP 458LX	OBIS FP 473LX	OBIS FP 488LX	OBIS FP 488LS
Digital Modulation				
Maximum Frequency (MHz)	150	150	150	0.05
Rise Time (10% to 90%) (nsec)	<2	<2	<2	<18,000
Fall Time (90% to 10%) (nsec)	<2	<2	<2	<2000
Modulation Depth (extinction ratio)	>1,000,000:1	>1,000,000:1	>1,000,000:1	Infinite
Modulation Depth at Maximum Frequency	>250:1	>250:1	>250:1	Infinite
Analog Modulation				
Maximum Frequency (kHz)	500	500	500	100
Rise Time (10% to 90%) (nsec)	<700	<700	<700	<3000
Fall Time (90% to 10%) (nsec)	<700	<700	<700	<3000
Modulation Depth (extinction ratio)	>1,000,000:1 Infinite with Analog Blanking Enabled	>1,000,000:1 Infinite with Analog Blanking Enabled	>1,000,000:1 Infinite with Analog Blanking Enabled	>50:1
Laser Safety Classification	3b	3b	3b	3b
ESD Protection	EN61326-1	EN61326-1	EN61326-1	EN61326-1
Power Consumption (W)	Typical 5, Max. 13	Typical 5, Max. 13	Typical 5, Max. 13	Typical 8, Max. 12
Laser Head Baseplate Temperature (Max., °C)	50	50	50	40
Heat Dissipation of Laser Head ¹ (W)	Typical 5, Max. 13	Typical 5, Max. 13	Typical 5, Max. 13	Typical 8, Max. 12
Ambient Temperature ²				
Operating Condition ³ (°C)	10 to 50	10 to 50	10 to 50	15 to 40
Non-Operating Condition (°C)	-20 to +60	-20 to +60	-20 to +60	-20 to +60
Shock Tolerance (g) (6 ms)	30	30	30	30

Notes:

1. Typically 85% of heat load through the base plate. See Users Manual for more detail.
2. Non-Condensing. See User Manual for more detail.
3. For LS versions laser head baseplate temperature needs to be maintained at ≤40°C.

SPECIFICATIONS	OBIS FP 505LX	OBIS FP 505LS	OBIS FP 514LX	OBIS FP 514LS	OBIS FP 522LX
Wavelength ¹ (nm)	505	505	514	514	522
Output Power ² (mW)	40	60 120	30	15	25
Maximum Output Power (mW)	44	66 132	33	17	28
Output from Fiber	FC/APC; 8° angled ⁵	FC/APC; 8° angled ⁵	FC/APC; 8° angled ⁵	FC/APC; 8° angled	FC/APC; 8° angled ⁵
Fiber Cable Type	3 mm Mono-Coil	5 mm Protective Tubing	3 mm Mono-Coil	5 mm Protective Tubing	3 mm Mono-Coil
Fiber Cable Length (m) (minimum)	1	0.94	1	0.94	1
Fiber Numerical Aperture (NA) (1/e ²)	0.05	0.06	0.05	0.1	0.05
Fiber Core Diameter (μm) (typical)	3.5	4	3.5	4	4.5
Spatial Mode	TEM ₀₀	TEM ₀₀	TEM ₀₀	TEM ₀₀	TEM ₀₀
M ² (Beam Quality) ³	≤1.1	≤1.1	≤1.1	≤1.1	≤1.1
Beam Asymmetry	≤1:1.1	≤1:1.1	≤1:1.1	≤1:1.1	≤1:1.1
RMS Noise (%) (20 Hz to 20 MHz)	≤0.2	≤0.25	≤0.25	≤0.25	≤0.25
Peak-to-Peak Noise (%) (20 Hz to 20 kHz)	≤2	≤1	≤2	≤1	≤2
Long-Term Power Stability (%) (8 hours, ±3°C)	<2	<2	<2	<2	<2
Long-Term Output Power Average (%/hrs.)	≤4/1000	–	≤3/1000	–	≤3/1000
Warm-Up Time ⁴ (minutes) (from cold start)	<5	<5	<5	<5	<5
Polarization Ratio	Minimum 100:1	Minimum 100:1	Minimum 100:1	Minimum 100:1	Minimum 100:1
Laser Drive Modes	CW, Analog Modulation, Digital Modulation, and Computer Control				

Notes:

1. Laser-to-laser wavelength tolerance ±2 nm for all OBIS LS versions. For OBIS LX wavelength tolerance of ±5 nm except for 413LX with a 410 nm to 420 nm range; 445LX at 200 mW with a 435 nm to 450 nm range; 458LX at 200 mW with a 450 nm to 465 nm range; 522LX with a 520 nm to 530 nm range; 633LX with a 629 nm to 636 nm range; 640LX with 635 nm to 644 nm range; 660LX with 652 nm to 665 nm range; and 685LX, 730LX, 750LX, 785LX, 808LX, and 980LX with a ±10 nm range.
2. Output power is variable in CW Mode from 1 mW (1% for LX Models) to 110% of rated power. Specifications are valid for 100% power.
3. M² measured with ModeMaster with 90/10 clip levels.
4. For LS versions typical power-on delay 1 minute. For LX versions typical power-on delay of 0.1 minutes.
5. Fiber FC/APC connector output not compatible for patchcord-to-patchcord connection.

Looking for an OBIS laser with Single Frequency and Narrow Linewidth - see the data sheet for OBIS LX Single Frequency Lasers.

SPECIFICATIONS	OBIS FP 505LX	OBIS FP 505LS	OBIS FP 514LX	OBIS FP 514LS	OBIS FP 522LX
Digital Modulation					
Maximum Frequency (MHz)	150	0.05	100	0.05	100
Rise Time (10% to 90%) (nsec)	<2	<18,000	<3.5	<18,000	<3.5
Fall Time (90% to 10%) (nsec)	<2	<2000	<2	<2000	<2
Modulation Depth (extinction ratio)	>1,000,000:1	Infinite	>1,000,000:1	Infinite	>1,000,000:1
Modulation Depth at Maximum Frequency	>250:1	Infinite	>250:1	Infinite	>250:1
Analog Modulation					
Maximum Frequency (kHz)	500	100	500	100	500
Rise Time (10% to 90%) (nsec)	<700	<3000	<700	<3000	<700
Fall Time (90% to 10%) (nsec)	<700	<3000	<700	<3000	<700
Modulation Depth (extinction ratio)	>1,000,000:1 Infinite with Analog Blanking Enabled	>50:1	>1,000,000:1 Infinite with Analog Blanking Enabled	>50:1	>1,000,000:1 Infinite with Analog Blanking Enabled
Laser Safety Classification	3b	3b	3b	3b	3b
ESD Protection	EN61326-1	EN61326-1	EN61326-1	EN61326-1	EN61326-1
Power Consumption (W)	Typical 5, Max. 13	Typical 8, Max. 12	Typical 5, Max. 13	Typical 8, Max. 12	Typical 5, Max. 13
Laser Head Baseplate Temperature (Max., °C)	50	40	50	40	50
Heat Dissipation of Laser Head ¹ (W)	Typical 5, Max. 13	Typical 8, Max. 12	Typical 5, Max. 13	Typical 8, Max. 12	Typical 5, Max. 13
Ambient Temperature ²					
Operating Condition ³ (°C)	10 to 50	15 to 40	10 to 50	15 to 40	10 to 50
Non-Operating Condition (°C)	-20 to +60	-20 to +60	-20 to +60	-20 to +60	-20 to +60
Shock Tolerance (g) (6 ms)	30	30	30	30	30

Notes:

1. Typically 85% of heat load through the base plate. See Users Manual for more detail.
2. Non-Condensing. See User Manual for more detail.
3. For LS versions laser head baseplate temperature needs to be maintained at ≤40°C.

SPECIFICATIONS	OBIS FP 532LS		OBIS FP 552LS		OBIS FP 561LS	OBIS FP 594LS
Wavelength ¹ (nm)	532		552		561	594
Output Power ² (mW)	20	40, 60, 80 120, 150	15	40, 60, 80, 120	40, 60, 80, 120, 150	40
Maximum Output Power (mW)	22	44, 66, 88 132, 165	17	44, 66, 88, 132	44, 66, 88, 132, 165	44
Output from Fiber	FC/ APC; 8° angled	FC/ APC; 8° angled ⁵	FC/ APC; 8° angled	FC/ APC; 8° angled ⁵	FC/APC; 8° angled ⁵	FC/APC; 8° angled ⁵
Fiber Cable Type	5 mm Protective Tubing		5 mm Protective Tubing		5 mm Protective Tubing	5 mm Protective Tubing
Fiber Cable Length (m) (minimum)	0.94		0.94		0.94	0.94
Fiber Numerical Aperture (NA) (1/e ²)	0.1	0.06	0.1	0.06	0.06	0.06
Fiber Core Diameter (μm) (typical)	4		4		4	4
Spatial Mode	TEM ₀₀		TEM ₀₀		TEM ₀₀	TEM ₀₀
M ² (Beam Quality) ³	≤1.1		≤1.1		≤1.1	≤1.1
Beam Asymmetry	≤1:1.1		≤1:1.1		≤1:1.1	≤1:1.1
RMS Noise (%) (20 Hz to 20 MHz)	≤0.25		≤0.25		≤0.25	≤0.25
Peak-to-Peak Noise (%) (20 Hz to 20 kHz)	≤1		≤1		≤1	≤1
Long-Term Power Stability (%) (8 hours, ±3°C)	<2		<2		<2	<2
Long-Term Output Power Average (%/hrs.)	-		-		-	-
Warm-Up Time ⁴ (minutes) (from cold start)	<5		<5		<5	<5
Polarization Ratio	Minimum 100:1		Minimum 100:1		Minimum 100:1	Minimum 100:1
Laser Drive Modes	CW, Analog Modulation, Digital Modulation, and Computer Control					

Notes:

1. Laser-to-laser wavelength tolerance ±2 nm for all OBIS LS versions. For OBIS LX wavelength tolerance of ±5 nm except for 413LX with a 410 nm to 420 nm range; 445LX at 200 mW with a 435 nm to 450 nm range; 458LX at 200 mW with a 450 nm to 465 nm range; 522LX with a 520 nm to 530 nm range; 633LX with a 629 nm to 636 nm range; 640LX with 635 nm to 644 nm range; 660LX with 652 nm to 665 nm range; and 685LX, 730LX, 750LX, 785LX, 808LX, and 980LX with a ±10 nm range.
2. Output power is variable in CW Mode from 1 mW (1% for LX Models) to 110% of rated power. Specifications are valid for 100% power.
3. M² measured with ModeMaster with 90/10 clip levels.
4. For LS versions typical power-on delay 1 minute. For LX versions typical power-on delay of 0.1 minutes.
5. Fiber FC/APC connector output not compatible for patchcord-to-patchcord connection.

Looking for an OBIS laser with Single Frequency and Narrow Linewidth - see the data sheet for OBIS LX Single Frequency Lasers.

SPECIFICATIONS	OBIS FP 532LS	OBIS FP 552LS	OBIS FP 561LS	OBIS FP 594LS
Digital Modulation				
Maximum Frequency (MHz)	0.05	0.05	0.05	0.05
Rise Time (10% to 90%) (nsec)	<18,000	<18,000	<18,000	<18,000
Fall Time (90% to 10%) (nsec)	<2000	<2000	<2000	<2000
Modulation Depth (extinction ratio)	Infinite	Infinite	Infinite	Infinite
Modulation Depth at Maximum Frequency	Infinite	Infinite	Infinite	Infinite
Analog Modulation				
Maximum Frequency (kHz)	100	100	100	100
Rise Time (10% to 90%) (nsec)	<3000	<3000	<3000	<3000
Fall Time (90% to 10%) (nsec)	<3000	<3000	<3000	<3000
Modulation Depth (extinction ratio)	>50:1	>50:1	>50:1	>50:1
Laser Safety Classification	3b	3b	3b	3b
ESD Protection	EN61326-1	EN61326-1	EN61326-1	EN61326-1
Power Consumption (W)	Typical 8, Max. 12	Typical 8, Max. 12	Typical 8, Max. 12	Typical 8, Max. 12
Laser Head Baseplate Temperature (Max., °C)	40	40	40	40
Heat Dissipation of Laser Head ¹ (W)	Typical 8, Max. 12	Typical 8, Max. 12	Typical 8, Max. 12	Typical 8, Max. 12
Ambient Temperature ²				
Operating Condition ³ (°C)	15 to 40	15 to 40	15 to 40	15 to 40
Non-Operating Condition (°C)	-20 to +60	-20 to +60	-20 to +60	-20 to +60
Shock Tolerance (g) (6 ms)	30	30	30	30

Notes:

1. Typically 85% of heat load through the base plate. See Users Manual for more detail.
2. Non-Condensing. See User Manual for more detail.
3. For LS versions laser head baseplate temperature needs to be maintained at ≤40°C.

SPECIFICATIONS	OBIS FP 633LX	OBIS FP 637LX	OBIS FP 640LX
Wavelength ¹ (nm)	633	637	640
Output Power ² (mW)	50	100, 120	75
Maximum Output Power (mW)	55	110, 132	83
Output from Fiber	FC/APC; 8° angled	FC/APC; 8° angled	FC/APC; 8° angled
Fiber Cable Type	3 mm Mono-Coil	3 mm Mono-Coil	3 mm Mono-Coil
Fiber Cable Length (m) (minimum)	1	1	1
Fiber Numerical Aperture (NA) (1/e ²)	0.09	0.09	0.09
Fiber Core Diameter (µm) (typical)	4.5	4.5	4.5
Spatial Mode	TEM ₀₀	TEM ₀₀	TEM ₀₀
M ² (Beam Quality) ³	≤1.1	≤1.1	≤1.1
Beam Asymmetry	≤1:1.1	≤1:1.1	≤1:1.1
RMS Noise (%) (20 Hz to 20 MHz)	≤0.2	≤0.2	≤0.2
Peak-to-Peak Noise (%) (20 Hz to 20 kHz)	≤2	≤2	≤2
Long-Term Power Stability (%) (8 hours, ±3°C)	<2	<2	<2
Long-Term Output Power Average (%/hrs.)	≤3/1000	≤3/1000	≤3/1000
Warm-Up Time ⁴ (minutes) (from cold start)	<5	<5	<5
Polarization Ratio	Minimum 100:1	Minimum 100:1	Minimum 100:1
Laser Drive Modes	CW, Analog Modulation, Digital Modulation, and Computer Control		

Notes:

1. Laser-to-laser wavelength tolerance ±2 nm for all OBIS LS versions. For OBIS LX wavelength tolerance of ±5 nm except for 413LX with a 410 nm to 420 nm range; 445LX at 200 mW with a 435 nm to 450 nm range; 458LX at 200 mW with a 450 nm to 465 nm range; 522LX with a 520 nm to 530 nm range; 633LX with a 629 nm to 636 nm range; 640LX with 635 nm to 644 nm range; 660LX with 652 nm to 665 nm range; and 685LX, 730LX, 750LX, 785LX, 808LX, and 980LX with a ±10 nm range.
2. Output power is variable in CW Mode from 1 mW (1% for LX Models) to 110% of rated power. Specifications are valid for 100% power.
3. M² measured with ModeMaster with 90/10 clip levels.
4. For LS versions typical power-on delay 1 minute. For LX versions typical power-on delay of 0.1 minutes.

Looking for an OBIS laser with Single Frequency and Narrow Linewidth - see the data sheet for OBIS LX Single Frequency Lasers.

SPECIFICATIONS	OBIS FP 633LX	OBIS FP 637LX	OBIS FP 640LX
Digital Modulation			
Maximum Frequency (MHz)	150	150	150
Rise Time (10% to 90%) (nsec)	<2	<2	<2
Fall Time (90% to 10%) (nsec)	<2	<2	<2
Modulation Depth (extinction ratio)	>1,000,000:1	>1,000,000:1	>1,000,000:1
Modulation Depth at Maximum Frequency	>250:1	>250:1	>250:1
Analog Modulation			
Maximum Frequency (kHz)	500	500	500
Rise Time (10% to 90%) (nsec)	<700	<700	<700
Fall Time (90% to 10%) (nsec)	<700	<700	<700
Modulation Depth (extinction ratio)	>1,000,000:1 Infinite with Analog Blanking Enabled	>1,000,000:1 Infinite with Analog Blanking Enabled	>1,000,000:1 Infinite with Analog Blanking Enabled
Laser Safety Classification	3b	3b	3b
ESD Protection	EN61326-1	EN61326-1	EN61326-1
Power Consumption (W)	Typical 5, Max. 13	Typical 5, Max. 13	Typical 5, Max. 13
Laser Head Baseplate Temperature (Max., °C)	50	50	50
Heat Dissipation of Laser Head ¹ (W)	Typical 5, Max. 13	Typical 5, Max. 13	Typical 5, Max. 13
Ambient Temperature ² Operating Condition ³ (°C) Non-Operating Condition (°C)	10 to 50 -20 to +60	10 to 50 -20 to +60	10 to 50 -20 to +60
Shock Tolerance (g) (6 ms)	30	30	30

Notes:

1. Typically 85% of heat load through the base plate. See Users Manual for more detail.
2. Non-Condensing. See User Manual for more detail.
3. For LS versions laser head baseplate temperature needs to be maintained at ≤40°C.

SPECIFICATIONS	OBIS FP 647LX	OBIS FP 660LX	OBIS FP 690LX	OBIS FP 730LX	OBIS FP 785LX
Wavelength ¹ (nm)	647	660	690	730	785
Output Power ² (mW)	100	75	120	25	70
Maximum Output Power (mW)	110	83	132	28	77
Output from Fiber	FC/APC; 8° angled	FC/APC; 8° angled	FC/APC; 8° angled	FC/APC; 8° angled	FC/APC; 8° angled
Fiber Cable Type	3 mm Mono-Coil	3 mm Mono-Coil	3 mm Mono-Coil	3 mm Mono-Coil	3 mm Mono-Coil
Fiber Cable Length (m) (minimum)	1	1	1	1	1
Fiber Numerical Aperture (NA) (1/e ²)	0.09	0.09	0.09	0.12	0.12
Fiber Core Diameter (μm) (typical)	4.5	4.5	4.5	4.5	4.5
Spatial Mode	TEM ₀₀	TEM ₀₀	TEM ₀₀	TEM ₀₀	TEM ₀₀
M ² (Beam Quality) ³	≤1.1	≤1.1	≤1.1	≤1.1	≤1.1
Beam Asymmetry	≤1:1.1	≤1:1.1	≤1:1.1	≤1:1.1	≤1:1.1
RMS Noise (%) (20 Hz to 20 MHz)	≤0.2	≤0.2	≤0.2	≤0.2	≤0.2
Peak-to-Peak Noise (%) (20 Hz to 20 kHz)	≤2	≤2	≤2	≤2	≤2
Long-Term Power Stability (%) (8 hours, ±3°C)	<2	<2	<2	<2	<2
Long-Term Output Power Average (%/hrs.)	≤3/1000	≤3/1000	≤3/1000	≤3/1000	≤3/1000
Warm-Up Time ⁴ (minutes) (from cold start)	<5	<5	<5	<5	<5
Polarization Ratio	Minimum 50:1	Minimum 100:1	Minimum 100:1	Minimum 100:1	Minimum 100:1
Laser Drive Modes	CW, Analog Modulation, Digital Modulation, and Computer Control				

Notes:

1. Laser-to-laser wavelength tolerance ±2 nm for all OBIS LS versions. For OBIS LX wavelength tolerance of ±5 nm except for 413LX with a 410 nm to 420 nm range; 445LX at 200 mW with a 435 nm to 450 nm range; 458LX at 200 mW with a 450 nm to 465 nm range; 522LX with a 520 nm to 530 nm range; 633LX with a 629 nm to 636 nm range; 640LX with 635 nm to 644 nm range; 660LX with 652 nm to 665 nm range; and 685LX, 730LX, 750LX, 785LX, 808LX, and 980LX with a ±10 nm range.
2. Output power is variable in CW Mode from 1 mW (1% for LX Models) to 110% of rated power. Specifications are valid for 100% power.
3. M² measured with ModeMaster with 90/10 clip levels.
4. For LS versions typical power-on delay 1 minute. For LX versions typical power-on delay of 0.1 minutes.

Looking for an OBIS laser with Single Frequency and Narrow Linewidth - see the data sheet for OBIS LX Single Frequency Lasers.

SPECIFICATIONS	OBIS FP 647LX	OBIS FP 660LX	OBIS FP 690LX	OBIS FP 730LX	OBIS FP 785LX
Digital Modulation					
Maximum Frequency (MHz)	150	150	150	150	150
Rise Time (10% to 90%) (nsec)	<2	<2	<2	<2	<2
Fall Time (90% to 10%) (nsec)	<2	<2	<2	<2	<2
Modulation Depth (extinction ratio)	>1,000,000:1	>1,000,000:1	>1,000,000:1	>1,000,000:1	>1,000,000:1
Modulation Depth at Maximum Frequency	>250:1	>250:1	>250:1	>250:1	>250:1
Analog Modulation					
Maximum Frequency (kHz)	500	500	500	500	500
Rise Time (10% to 90%) (nsec)	<700	<700	<700	<700	<700
Fall Time (90% to 10%) (nsec)	<700	<700	<700	<700	<700
Modulation Depth (extinction ratio)	>1,000,000:1 Infinite with Analog Blanking Enabled	>1,000,000:1 Infinite with Analog Blanking Enabled	>1,000,000:1 Infinite with Analog Blanking Enabled	>1,000,000:1 Infinite with Analog Blanking Enabled	>1,000,000:1 Infinite with Analog Blanking Enabled
Laser Safety Classification	3b	3b	3b	3b	3b
ESD Protection	EN61326-1	EN61326-1	EN61326-1	EN61326-1	EN61326-1
Power Consumption (W)	Typical 5, Max. 13	Typical 5, Max. 13	Typical 5, Max. 13	Typical 5, Max. 13	Typical 5, Max. 13
Laser Head Baseplate Temperature (Max., °C)	50	50	50	50	50
Heat Dissipation of Laser Head ¹ (W)	Typical 5, Max. 13	Typical 5, Max. 13	Typical 5, Max. 13	Typical 5, Max. 13	Typical 5, Max. 13
Ambient Temperature ²					
Operating Condition ³ (°C)	10 to 50	10 to 50	10 to 50	10 to 50	10 to 50
Non-Operating Condition (°C)	-20 to +60	-20 to +60	-20 to +60	-20 to +60	-20 to +60
Shock Tolerance (g) (6 ms)	30	30	30	30	30

Notes:

1. Typically 85% of heat load through the base plate. See Users Manual for more detail.
2. Non-Condensing. See User Manual for more detail.
3. For LS versions laser head baseplate temperature needs to be maintained at ≤40°C.

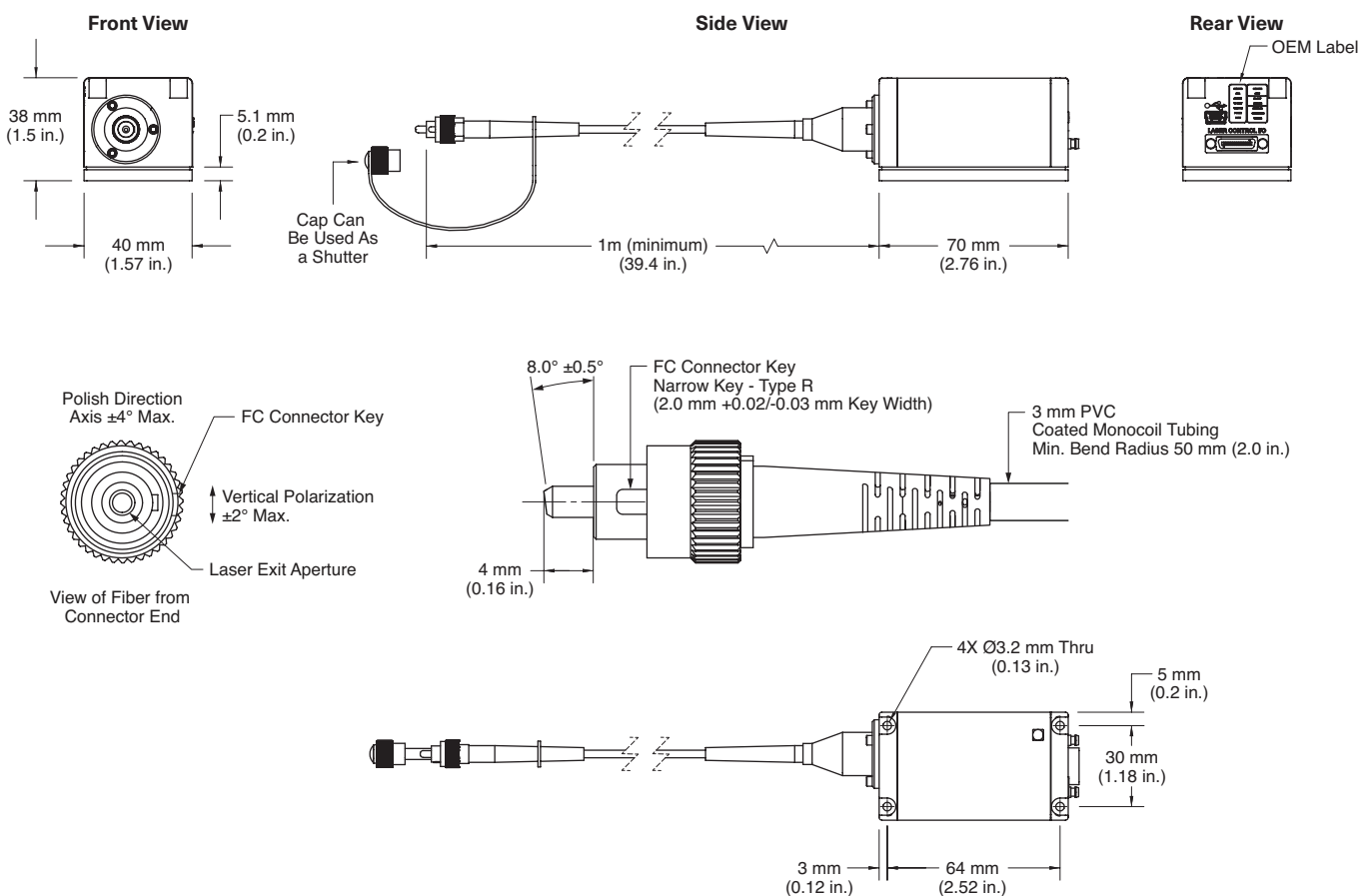
UTILITY AND ENVIRONMENTAL REQUIREMENTS	
Operating Voltage ¹ (VDC)	12 ±2
Dimensions (L x W x H)	
Laser	70 x 40 x 38 mm (2.75 x 1.57 x 1.5 in.)
OBIS Remote (optional)	105 x 68 x 36 mm (4.13 x 2.68 x 1.42 in.)
DC Power Supply (optional)	105 x 42 x 33 mm (4.13 x 1.65 x 1.3 in.)
Cable, Laser to OBIS Remote (optional)	1 m (3.28 ft.) (3 meter and 0.3 meter sold separately)
Fiber Minimum Bend Radius	51 mm (2.0 in.)
Weight	
Laser	0.23 kg (0.5 lbs.)
OBIS Remote (optional)	0.23 kg (0.5 lbs.)
DC Power Supply (optional)	0.36 kg (0.79 lbs.)
Cable, Laser to OBIS Remote (optional)	0.1 kg (0.22 lbs.) for 1 meter
Fiber Tensile Load (max.)	1 kg (2.2 lbs.)

Notes:

1. If user supplied, the DC power supply has to meet the following requirements: power >20W; ripple <5% peak-to-peak; line regulation <0.5%.

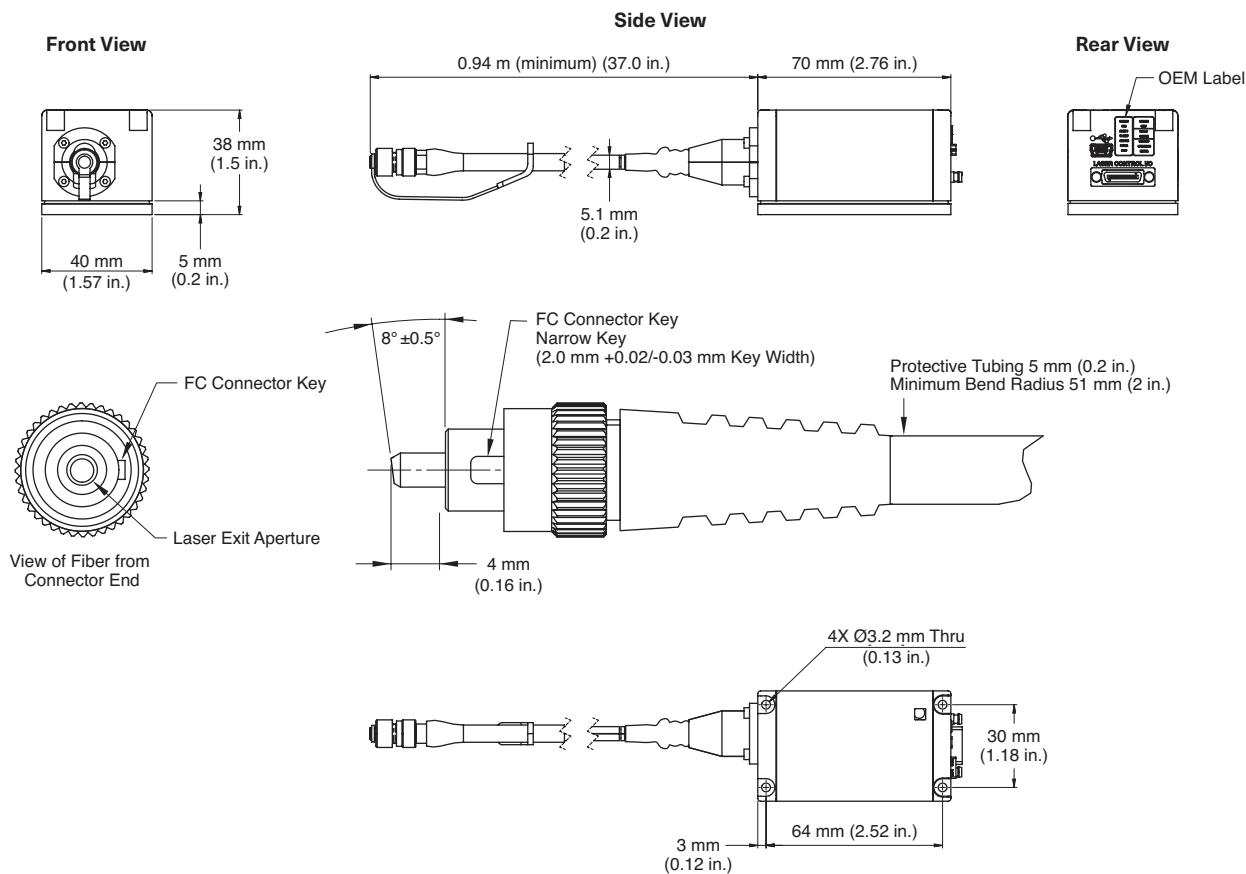
Mechanical Specifications

OBIS LX FP

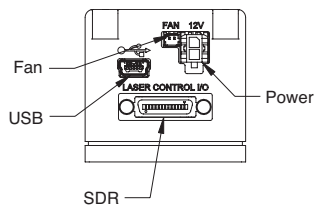


Mechanical Specifications

OBIS LS FP


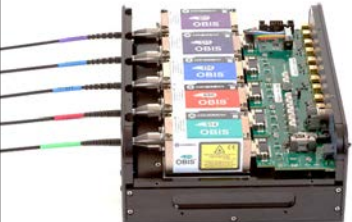



**Looking for OBIS Galaxy Lasers?
Please refer to the OBIS Galaxy data sheet and/or web page.**



**Rear View with
OEM Label Removed**

OPTIONAL OBIS LASER ACCESSORIES	DESCRIPTION
	<p>OBIS Heat Sink with fan for thermal management, includes hardware to mount to table. Laser can be mounted on top or side for horizontal polarization. Convenient 69 mm (2.7 inch) beam height.</p> <p>Part Number 1193289 OBIS Heat Sink Mount.</p>
 	<p>OBIS LX/LS Single Laser Remote with full features for control with Analog and Digital modulation inputs. Includes USB and RS-232 connectors on the back panel of the Remote. Analog Modulation Impedance can be 50 Ohms or 2000 Ohms and is User selectable through software. Digital Modulation Impedance is 50 Ohms.</p> <p>Part Number 1214875 OBIS LX/LS Single Laser Remote, with Power Supply, 1 meter laser-to-remote (SDR) cable, USB cable, and Coherent Connection applications software.</p> <p>Part Number 1173961 OBIS LX/LS Single Laser Remote, with Power Supply, USB cable, and Coherent Connection applications software (no SDR Laser-to-Remote cable).</p>
 	<p>OBIS LX/LS 6-Laser Remote with CDRH features. Separate power switches and power cables for each laser. NOTE: Does not support modulation inputs.</p> <p>Part Number 1203909 OBIS LX/LS 6-Laser Remote, with Power Supply, 6 power cables from laser-to-remote, and Coherent Connection applications software.</p> <p>Part Number 1306263 OBIS LX/LS 6-Laser Remote, with Power Supply and Coherent Connection applications software (no laser-to-remote power cables).</p>

OPTIONAL OBIS LASER ACCESSORIES	DESCRIPTION
	<p>OBIS LX/LS Scientific Remote with full features for control with analog/digital inputs for up to six lasers. User interface touch screen and connectivity through USB, RS-232, and Ethernet.</p> <p>Part Number 1234466 OBIS LX/LS Scientific Remote, with internal Power Supply, 6 laser-to-remote (SDR) cables, and Coherent Connection applications software.</p> <p>Part Number 1234465 OBIS LX/LS Scientific Remote, with internal Power Supply, and Coherent Connection applications software (no SDR Laser-to-Remote cables).</p>
	<p>OBIS LX/LS Laser Box with five laser mounting bays with thermal management, cooling fans, analog/digital inputs, RS-232, USB, key-switch, and interlock in one compact package. Lasers sold separately.</p> <p>Part Number 1228877 OBIS LX/LS Laser Box, with Power Supply, USB cable, and Coherent Connection applications software. Analog Modulation Impedance = 2k Ω, Digital Modulation Impedance = 50 Ω.</p> <p>Part Number 1343229 OBIS LX/LS Laser Box, with Power Supply, USB cable, and Coherent Connection applications software. Analog Modulation Impedance = 2k Ω, Digital Modulation Impedance = 2k Ω¹.</p>
	<p>OBIS LX/LS Modulation Interface, Analog and Digital Modulation, SDR. Compact board-level Modulation Interface. SMB connector for Analog Modulation control input. SMB Connector for Digital Modulation control input. Plugs directly into OBIS laser.</p> <p>Part Number 1319290 OBIS LX/LS Modulation Interface, Analog and Digital Modulation, SDR. Compact and easy-to-use, this OBIS Modulation Interface offers separate SMB input for Analog and Digital Modulation. This accessory works with all OBIS LS and LX lasers.</p> <p>Details: Modulation Interface plugs directly into the OBIS Laser. Analog Modulation can be set for a 50 Ω or 2K Ω input impedance. Digital Modulation can be set for a 50 Ω or 2K Ω input impedance. Digital Modulation can also be set to operate with Laser ON at 3.3 Volts or Laser ON at 5 Volts. Modulation interface must be connected to the OBIS Power Supply, sold separately to then power the interface and laser together. Dimensions (W x H x L): 40 x 20 x 120 mm (with laser).</p>

Notes:

1. With 2K Ω Digital Modulation Impedance the OBIS LX laser will have a limited Digital Modulation bandwidth of ~20 MHz. Order 1228877 for the 50 Ω Digital Modulation Impedance to obtain the full OBIS LX maximum Digital Modulation bandwidth of 150 MHz.

OPTIONAL OBIS LASER ACCESSORIES	DESCRIPTION
	<p>OBIS LX Bandpass Filter can reduce noise in fluorescent applications that are sensitive to longer wavelength emissions.</p> <p>OBIS LX Bandpass Filter conveniently threads into the front of the OBIS LX laser to remove long wavelength emissions. Bandpass filter is specifically mounted to avoid internal retro-reflection from the filter.</p> <p>Part Number 1265259 BANDPASS FILTER, 445 nm, OBIS LX, Pass 423-468 nm Transmission of > 90% from 423 nm to 468 nm. Blocking with < 0.01% from 500 nm to 600 nm. Damage Threshold > 1000 W/cm² at 445 nm.</p> <p>Part Number 1265260 BANDPASS FILTER, 473 nm, OBIS LX, Pass 468-478 nm Transmission of > 90% from 468 nm to 478 nm. Blocking with < 0.01% from 500 nm to 600 nm. Damage Threshold > 1000 W/cm² at 473 nm.</p> <p>Part Number 1263515 BANDPASS FILTER, 488 nm, OBIS LX, Pass 485-491 nm Transmission of > 90% from 485 nm to 491 nm. Blocking with < 0.01% from 500 nm to 800 nm. Damage Threshold > 1000 W/cm² at 488 nm.</p> <p>Part Number 1202061 BANDPASS FILTER, 633 nm 637nm, OBIS LX, Pass 630-642 nm Transmission of > 90% from 630 nm to 642 nm. Blocking with < 0.01% at 488 nm. Blocking with < 0.1% at 652 nm to 660 nm. Blocking with < 0.01% at 660 nm to 670 nm.</p> <p>Part Number 1202062 BANDPASS FILTER, 640 nm, OBIS LX, Pass 635-645 nm Transmission of > 90% from 635 nm to 645 nm. Blocking with < 0.01% from 483 nm to 493 nm. Blocking with < 0.1% at 652 nm to 660 nm. Blocking with < 0.01% at 660 nm to 670 nm. Damage Threshold > 25 W/cm² at 405 nm.</p>