



MATRIX Accessories

Optimize Your Laser's Performance

A host of essential accessories support MATRIX solid-state, q-switched lasers. These add-ons allow for easy integration and are specifically designed and selected to enable optimum performance of the MATRIX lasers.

ACCESSORIES

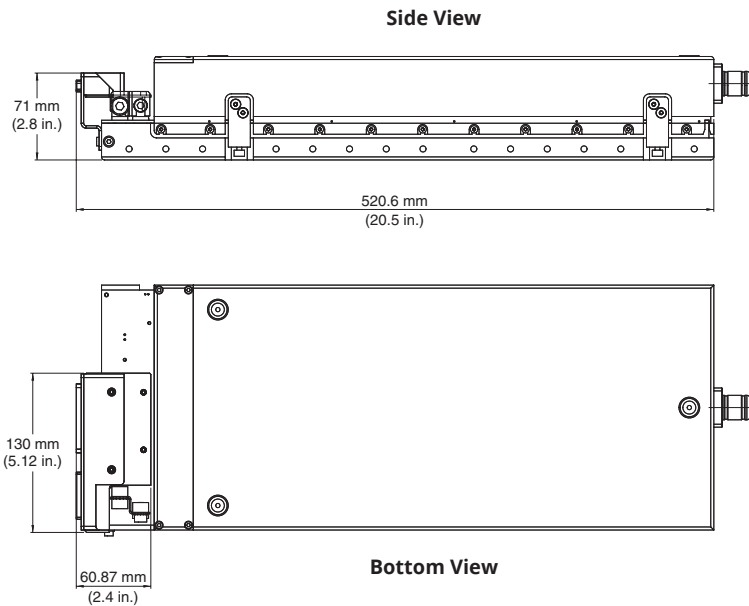
- Beam Expander Mount
- 90° Cable Adapter
- Kinematic Mounts and Balls, IR and UV
- Mounting Feet, IR and UV
- Water-Cooling Plate Kit



MATRIX UV	MATRIX UV and IR/GREEN	MATRIX IR/GREEN
Kinematic Mounts and Balls, UV	90° Cable Adapter	Kinematic Mounts and Balls, IR
	Water-Cooling Plate Kit	

90° Cable Adapter

Part Number: 1143342



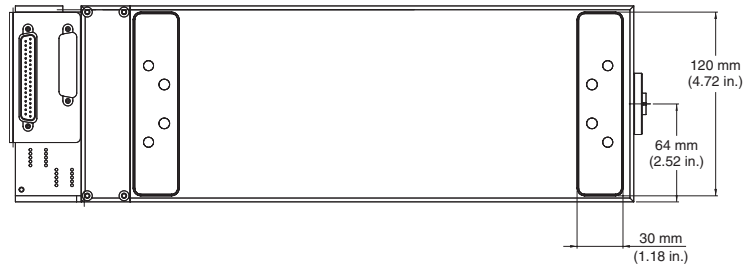
Kinematic Mounts and Balls, IR*

Part Number: 1147677

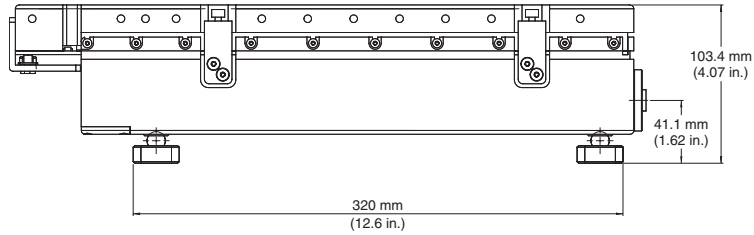


* Compatible to standard 1 inch and 25 mm grid breadboards.

Bottom View



Side View



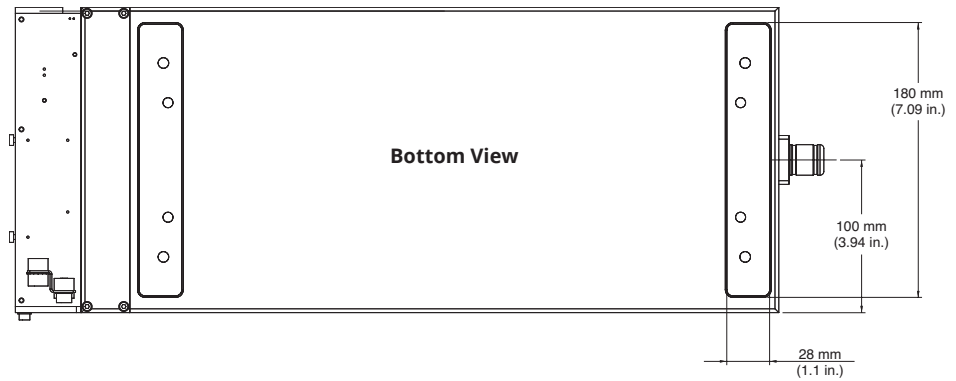
Kinematic Mounts and Balls, UV*

Part Number: 1128559

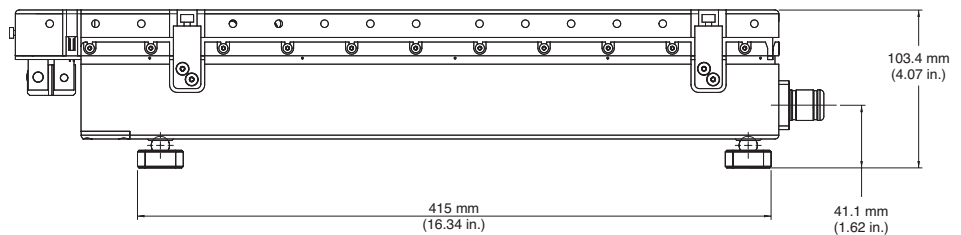


* Compatible to standard 1 inch and 25 mm grid breadboards.

Bottom View

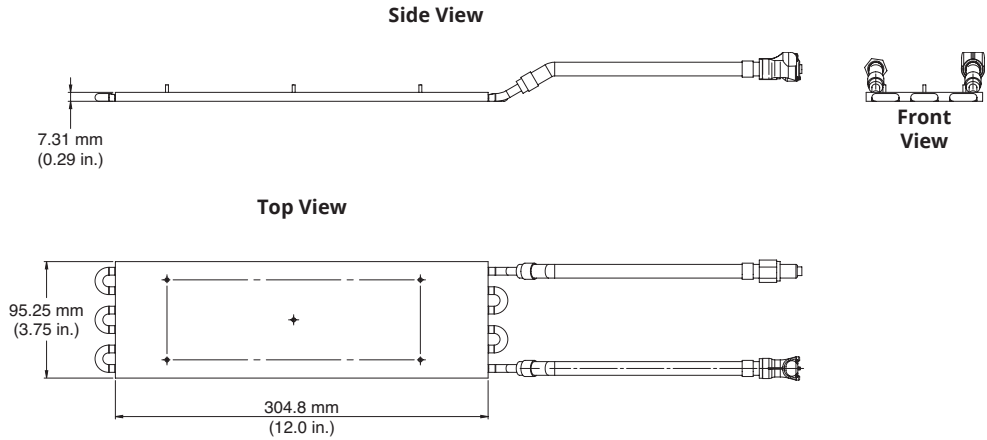


Side View



Water Cooling Plate Kit, with or without hoses

Part Number: 1150234/1171107



Coherent, Inc.,
 5100 Patrick Henry Drive Santa Clara, CA 95054
 p. (800) 527-3786 | (408) 764-4983
 f. (408) 764-4646

tech.sales@coherent.com www.coherent.com

Coherent follows a policy of continuous product improvement. Specifications are subject to change without notice. Coherent's scientific and industrial lasers are certified to comply with the Federal Regulations (21 CFR Subchapter J) as administered by the Center for Devices and Radiological Health on all systems ordered for shipment after August 2, 1976.

Coherent offers a limited warranty for all MATRIX Accessories. For full details of this warranty coverage, please refer to the Service section at www.coherent.com or contact your local Sales or Service Representative. MC-045-08-0M1118Rev.D Copyright ©2018 Coherent, Inc.

