

LMFC Series Fiber Coupled Single Frequency Laser Modules



Single Frequency
Fiber Coupled

Ondax's LMFC Series Fiber Coupled Single Frequency Laser Module couples an Ondax SureLock™ VHG-stabilized laser diode to a single-mode, polarization-maintaining fiber, delivering steady, single frequency performance in an ultra-compact footprint. Offering both computer and integrated user controls, the LMFC Series includes precision temperature and current controls to deliver better than 1m coherence length and 1% power stability with less than 1 minute warm-up. This tightly integrated package makes it the ideal choice for both OEM instrumentation and laboratory applications.

The LMFC Module is available in wavelengths from 405nm to 830nm.

Features:

- Single frequency with long coherence length (~1m)
- Single Mode Fiber Coupled output - PM (standard) or SM (optional) w/ FC/APC connector, minimum 1m length
- Remote computer and onboard user controls with integral LCD Display
- Precision temperature and current stabilization
- Ultra-compact footprint 40mm x 42.5mm x 100mm
- Plug and play operation
- NoiseBlock™ narrow-band ASE suppression filters and beamsplitters available in matching wavelengths to further reduce linewidth and ASE noise

Applications:

- Raman Spectroscopy
- Interferometry
- Metrology
- HeNe replacement
- Bio-instrumentation
- Particle Counting
- LIDAR
- Graphic Arts

Specifications:

Parameter	Sym-	Wavelength									
Center Wavelength (vacuum)	L_p/nm	405/406	633	640	658	685	690	780.25	785	808	830
Center Wavelength Tolerances	nm	±1	±0.5	±1	±1	±1	±1	±0.2	±1	±1	±1
Output Power	P_o/mW	6	30	15	12	16	15	25	30/50/70	40	50
Linewidth, maximum (MHz)	$\Delta\lambda$	160 ¹	150	300	300	300	100	50	50	50	250
Polarization Ratio		100:1	100:1	60:1	100:1	100:1	100:1	100:1	100:1	100:1	100:1

¹For 405nm diode only

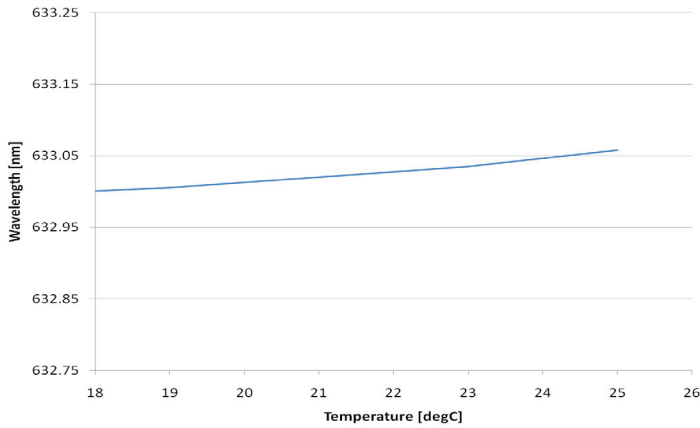
Operating Specifications

Optical	Min	Typ	Max	Unit
Spatial Mode	Single Mode			
Polarization	100:1			
Fiber Type (PM) ²	3/125	4/125	5/125	μm
Connector	FC/APC			
Noise (RMS, 0-20 MHz)	0.25		0.5	%
Power Stability (1 hr)	0.10		0.5	%
Electrical	Min	Typ	Max	Unit
Operating Current			1.5	A
Operating Voltage	3.3			
Modulation Input (TTL)	0	5		VDC
Modulation Speed			3	kHz
Environmental	Min	Typ	Max	Unit
Storage Temperature	-10	60		°C
Operating Temperature	10	25	40	°C
Operation Humidity	Non-condensing			
Dimensions (D x L)	100 x 80		mm	

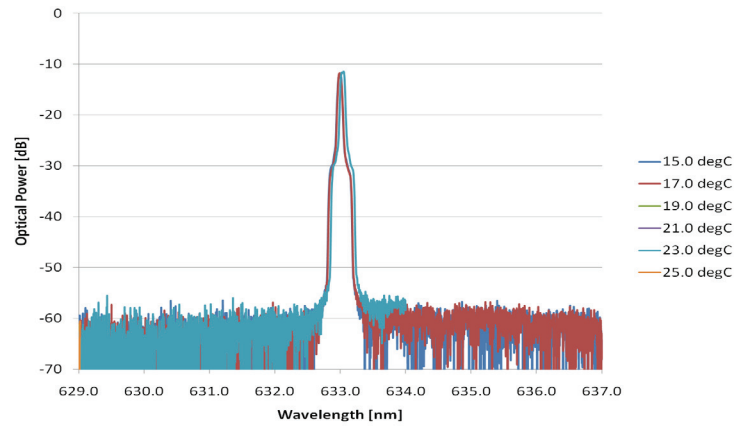
²Core dia. depends on wavelength. SM fiber (non-PM) also available by request.

LMFC Series Fiber Coupled Single Frequency Laser Modules

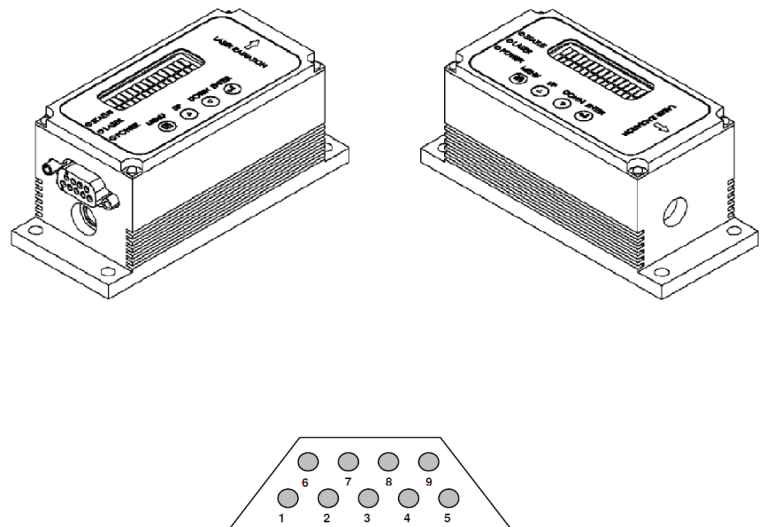
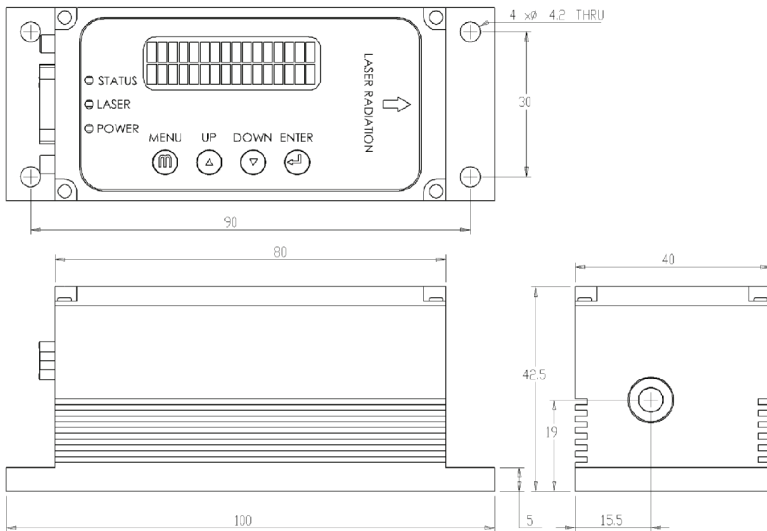
Wavelength Stability (633nm example)



Optical Spectrum (633nm example)



Outline Drawing and Connector Pinout



Model Numbers

LMFC- $\lambda\lambda\lambda$ -PLR-Power-PM or LMFC- $\lambda\lambda\lambda$ -PLR-Power-SM
 LMFC- $\lambda\lambda\lambda$ -PLR-Power-PM -1K or LMFC- $\lambda\lambda\lambda$ -PLR-Power-SM -1K (includes keyswitch)

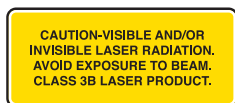
Power Requirements

100-240V AC, 50-60Hz, Connector: +3.3VDC, 2.1mm dia.

Pinout

Pin	Definition	Description
1	VCC	Positive Power Pin +3.3V
2	TXD	Send data to computer (RS232)
3	RXD	Receive data from computer (RS232)
4		Not used
5	GND	GND for power and RS232 communication
6	TTL	Outside TTL modulation
7		Not used
8		Not used
9	GND	GND for power and RS232 communication

Note: Pinout is compatible with standard RS232 cable for interfacing with computer port or USB-RS232 adapter



850 E. Duarte Rd. Monrovia, CA 91016
 626-357-9600 (Tel)
 626-513-7494 (Sales Fax)

For more information about Ondax products and the name of a local representative or distributor, visit www.ondax.com, email sales@ondax.com, or call (626) 357-9600. Specifications subject to change without notice. Each purchased laser is provided with test data and manual. Please refer to this data before using the laser.