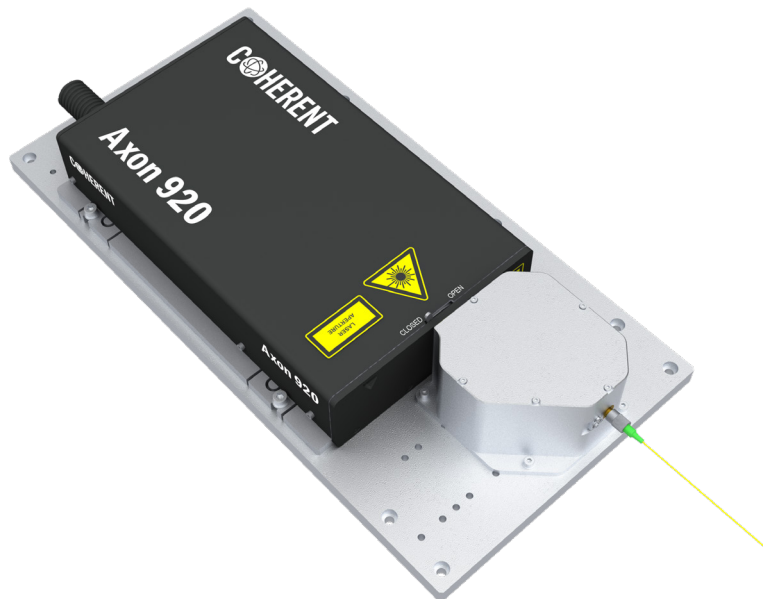


Axon FL

The Gateway to Easy and Versatile Femtosecond Fiber Coupling

The Axon FL is a fiber-coupling module to facilitate the delivery of clean, high quality femtosecond pulses via a hollow-core fiber to Mini2P applications. Its uniqueness is versatility as it allows users the option of free space or fiber coupled outputs. It comprises a base plate and fiber-coupling box with dowl pin locators on the Axon to ensure precise alignment is maintained with each reconfiguration. It is compatible with standard FC connectorized Mini2P fiber. The coupling efficiency can be adjusted by the user using the alignment mirrors and polarizer, if needed. Image brightness can be optimized through the tuneable precompensation and TPC capability.



FEATURES

- Enables a seamless interchangeability between free-space and fiber-coupled laser outputs making Axon a more versatile option that is suitable for multiple applications
- Vertical mounting option to reduce benchtop footprint
- Standard FC/PC connector for quick and reliable fiber changes with minimal effort
- Fiber delivery of high-quality, clean femtosecond pulses capable of generating high-contrast images
- Image brightness optimization through tunable GDD pre-compensation and TPC capability

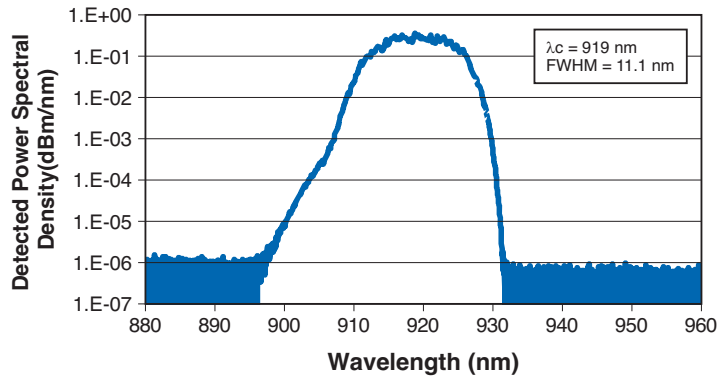
APPLICATIONS

- Axon FL is a fiber coupling module designed for Mini2P applications

Specifications	Axon FL
Center Wavelength (nm)	920
Pulse Duration (fs)	<160
Average Output Power (mW) (out of the fiber)	250
Repetition Rate (MHz)	80 ±1
Dispersion Precompensation (fs ²) (GDD)	~30k to +10k
Fiber Length (m)	~2
Polarization Extinction Ratio	>90% (linear)

Typical Performance Data

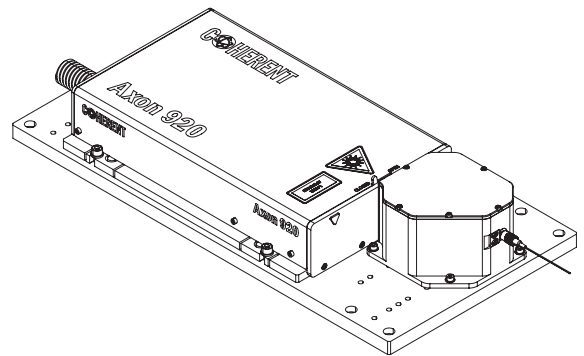
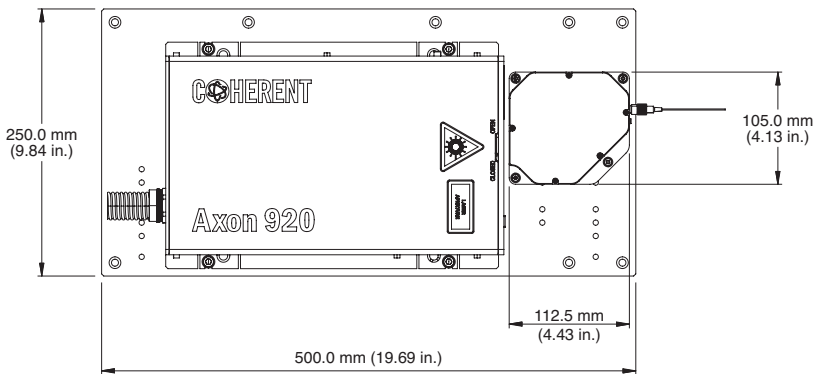
Typical Spectrum: Axon FL



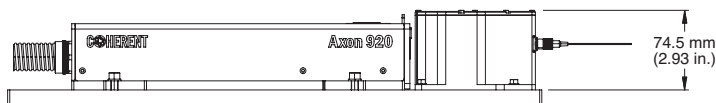
Mechanical Specifications

Axon FL

Top View



Side View



Front View

