

StingRay Accessories

The StingRay laser is the highest-performing laser available for measurement and profiling applications with a variety of accessories help accelerate your integration. Accessories include mounting options, remotes, and cabling.

FEATURES

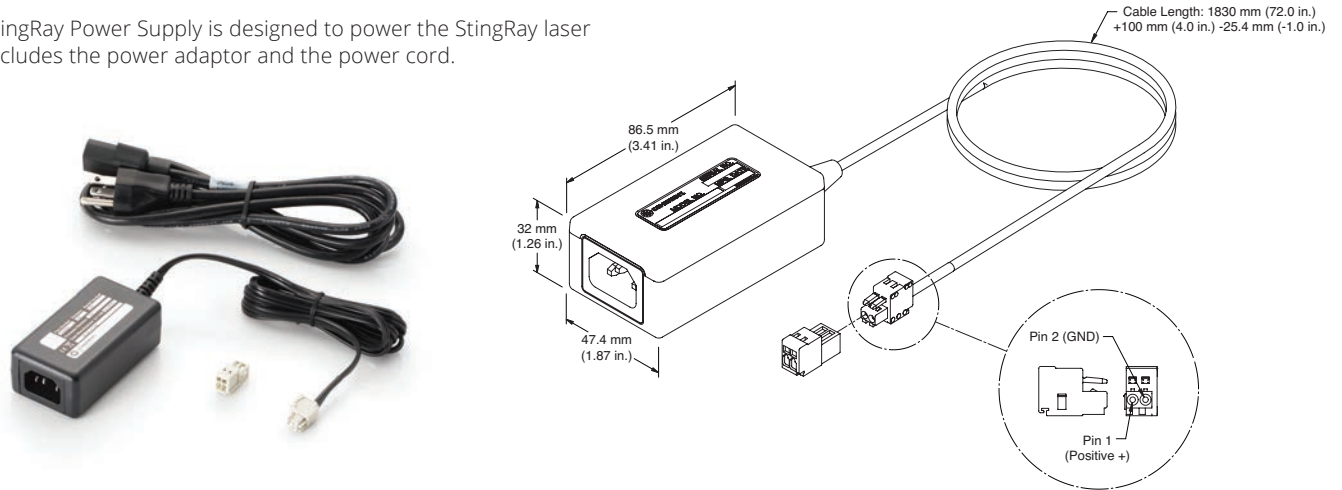
- Laser Power Supply
- Multi-Axis Mount
- Heat Sink Mount
- Mount Adapter Plate
- StingRay Remote
- CDRH Controller Kit
- CDRH Controller Power Supply
- 12 Pin Hirose to Flying Lead Connector
- Connection Software



StingRay Power Supply

Part Number: 1232091

The StingRay Power Supply is designed to power the StingRay laser and includes the power adaptor and the power cord.



StingRay Multi-Axis Mount

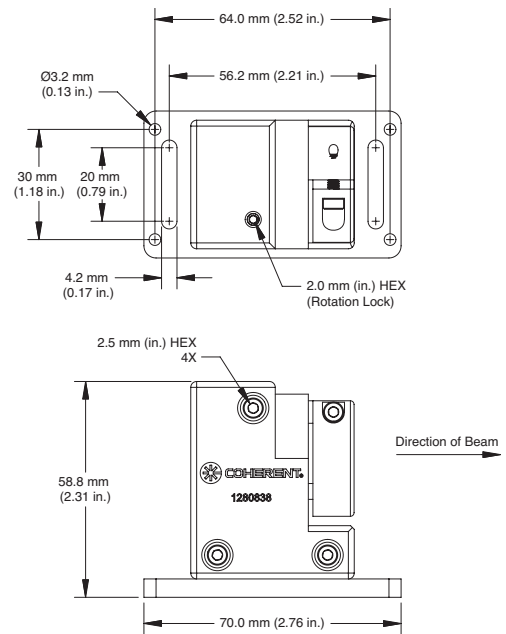
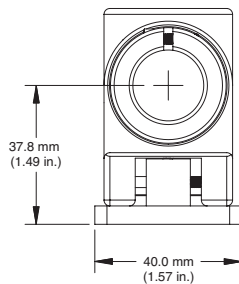
Part Number: 1280838

The StingRay Multi-Axis Mount provides the user/integrator with the capability of precision movement/alignment of the laser as it is installed into an instrument or application.

This movement consists of:

- 360-degree rotation about the laser's mechanical axis
- Tilt about the x-axis up to seven degrees

The StingRay Multi-Axis Mount provides multiple mounting options for the user, conforming to the standard StingRay/OBIS footprint. It also allows for more general mounting with two machined slots for quick installation.



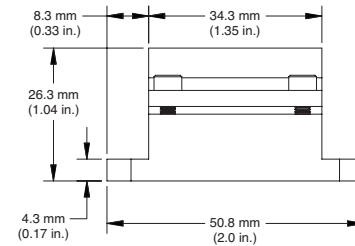
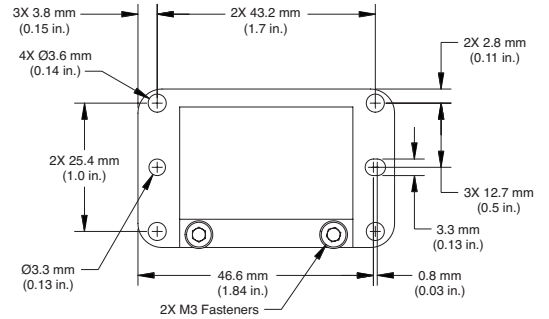
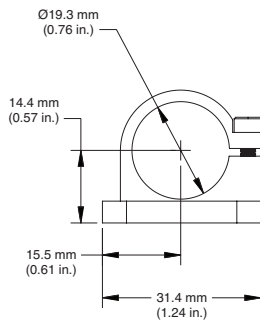
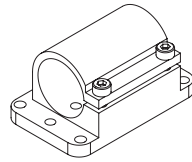
StingRay Heat Sink Mount

Part Number: 1222896

This mount is specifically designed to match the thermal management design employed in the StingRay laser family. This product offers excellent thermal and pointing stability. The mount includes four thru holes and four tapped holes with a precision pin slot for easy and repeatable mounting.



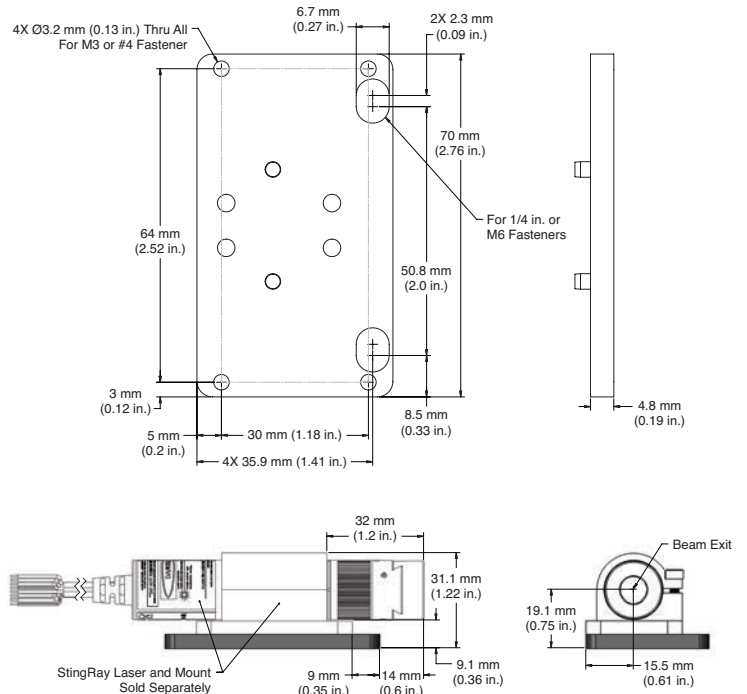
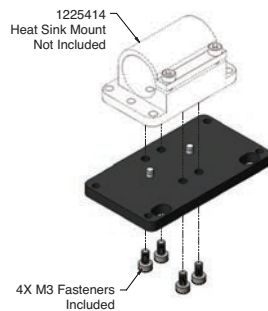
Example of Stingray Laser in the Mount



StingRay Mount Adapter Plate

Part Number: 1222894

The StingRay Heat Sink Mount Adapter Plate enables the user to adapt the StingRay to metric or English optical table or base plate for quick and easy integration.

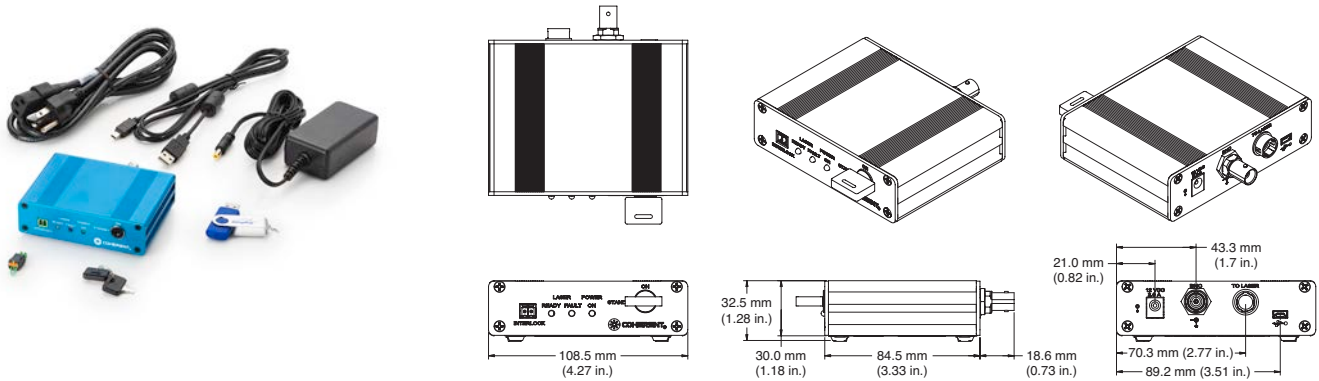


Heat Sink Mount Adapter with Heat Sink and StingRay Laser Installed

StingRay Remote

Part Number: 1231404

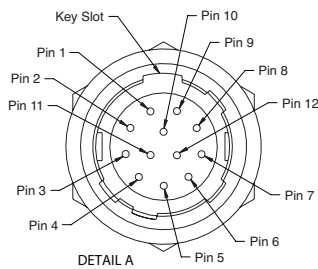
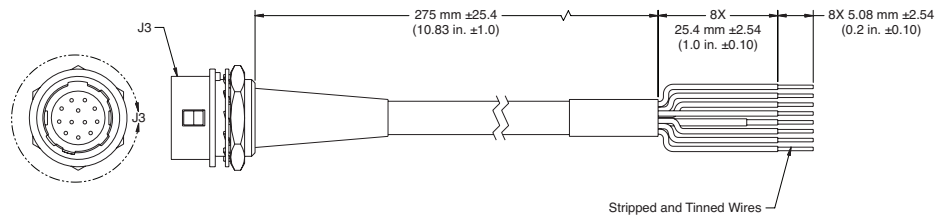
The StingRay remote is meant to be used with lasers that include a Hirose connector. It includes a keyswitch, an interlock, the control software, and a power supply. Use with lasers that include a Hirose connector.



StingRay 12 Pin Hirose Connector to Flying Lead Break Out

Part Number: 1229640

This convenient cable provides an easy break out of the I/O signals used by the StingRay laser family. When the laser uses the Hirose Connector, this mating connector can be used to quickly convert to Flying Lead with simple access to connecting to and receiving signals from a StingRay laser.



WIRE LIST				
SIGNAL NAME	FROM	TO	WIRE AWG	COLOR
VIN	J3-9	NC	28	RED
VIN GND	J3-1	NC	28	BLACK
COM RX	J3-4	NC	28	WHITE
COM GND	J3-5	NC	28	WHITE/BLACK
COM TX	J3-6	NC	28	ORANGE
FAULT	J3-10	NC	28	GREEN
VMOD	J3-2	NC	28	BLUE
VMOD GND	J3-3	NC	28	RED/BLACK
CABLE SHIELD	SHIELD	J3-1	-	BLACK
J3 CONNECTOR SHIELD	J3 SHIELD	NC	-	-



Coherent, Inc.,
 5100 Patrick Henry Drive Santa Clara, CA 95054
 p. (800) 527-3786 | (408) 764-4983
 f. (408) 764-4646

tech.sales@coherent.com www.coherent.com

Coherent follows a policy of continuous product improvement. Specifications are subject to change without notice. Coherent's scientific and industrial lasers are certified to comply with the Federal Regulations (21 CFR Subchapter J) as administered by the Center for Devices and Radiological Health on all systems ordered for shipment after August 2, 1976.

Coherent offers a limited warranty for all Coherent StingRay Accessories. For full details of this warranty coverage, please refer to the Service section at www.coherent.com or contact your local Sales or Service Representative. MC-011-17-0M1118Rev.C Copyright ©2018 Coherent, Inc.