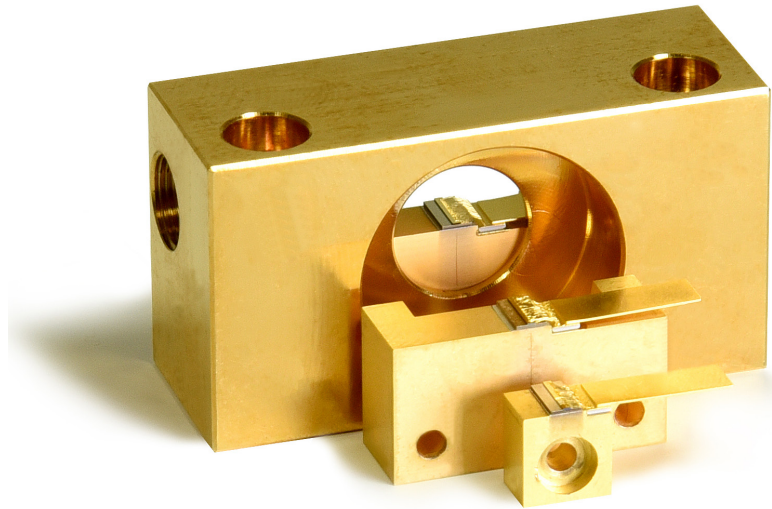


TAPERED AMPLIFIER FOR MOPA SETUPS

777 to 793 nm, 4000 mW, Passive Cooling

GaAs-based tapered amplifiers are used for the amplification of an existing seed laser. The seed power between 30 mW and 60 mW can be amplified up to nearly diffraction limited power values of 4000 mW. Such a setup is called MOPA (Master Oscillator Power Amplifier). The rear facet and the front facet are both provided with an anti-reflection coating of less than 0.01% to avoid laser action of the amplifier chip itself. Application examples for MOPA setups with tapered amplifiers are optical cooling, optical trapping, Raman spectroscopy and high-resolution absorption spectroscopy.



ADVANTAGES

- Tuning range between 777 to 793 nm
- Suitable for MOPA setups up to 4000 mW
- Nearly diffraction limited with $M^2 (1/e^2) < 1.7$
- Side mode suppression of more than 40 dB
- Highly anti-reflection facet coatings $< 0.01\%$
- Passive cooling
- Different packages available
- Customized packaging possible

OPTIONS

- The TA-0785-4000 can be mounted on a c-mount or optionally on a DHP inset or a DHP frame for better handling.
- The TA-0785-4000 can be ordered with selected beam quality parameters M^2 .
- The TA-0785-4000 is also available for external cavity configurations.

Tapered Amplifier for MOPA Setups

Optical Parameters ¹	TA-0785-4000
Wavelength Operation Range ¹ (nm)	777 to 793
Center Wavelength Range (nm)	785
ASE Suppression (dB)	≥40
Output Power (W)	4.0
Typical Seed Power ³ (mW)	30
Maximum Seed Power ³ (mW)	60
Minimum Seed Power ³ (mW)	10
Design Parameters	
Output Aperture at Front Side (μm)	256 x 1.2
Divergence Parallel (95%) (degree)	10 to 12
Divergence Perpendicular (95%) (degree)	50
M ² (1/e ²) ⁴	≤1.7
Astigmatism (μm)	Depends On Operating Conditions
Electrical Parameters	
Typical Operation Current at 4000 mW (A)	4.4
Maximum Operation Current With Injection (A)	6.0
Maximum Operation Current Without Injection (A)	2.5
Maximum Operation Voltage (V)	≤2.0
Polarization	TM
Thermal Parameters	
Operating Temperature (°C)	+15 to +30
Recommended Heat Sink Temperature (°C)	20
Storage Temperature (°C)	-20 to +60
Operating and Storage Conditions	Non-Condensing Atmosphere
Other Parameters	
Heat Sink Type ⁶	C-Mount
Cavity Length (μm)	4300
Cathode (-)	Wire Flag (see also packaging drawings)
Anode (+)	Base Plate (see also packaging drawings)
RoHS 2002/95EC Compliant	Yes

Notes:

1. Tolerance of +/-2 nm, not exceeding maximum operation current
2. Lower output power possible at periphery areas with max. operation current
3. Measured in front of rear facet, optical isolator in MOPA setup will reduce seed power of 30 to 60 mW by 50%
4. Measured in accordance to ISO 11146
5. In a non condensing atmosphere
6. Other heat sinks on request

Safety

This is a laser class IV product according to IEC -Standard International Commission (Publication 825, 1993). The laser light emitted from this laser diode is invisible and/or visible and is harmful to the human eye. The safety regulations for eye and personell protection included in the IEC Standard must be observed to avoid any harm to operating personell. Avoid direct exposure and looking into the laser diode, into the collimated beam or into the fiber when it is linked to the module.

Storage and Shipping

Store and ship the diode laser with shortened electrical contacts in a clean and dry atmosphere and in a temperature range of 0°C to 60°C.

Operation and Handling

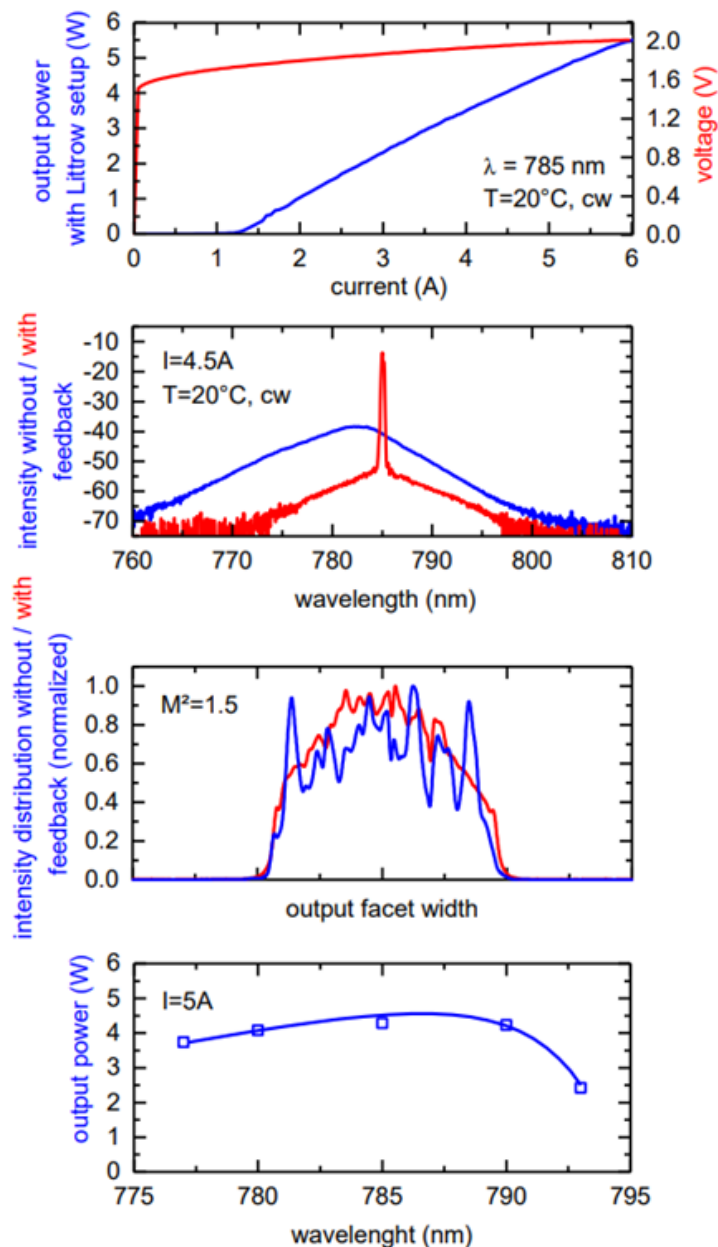
Diode lasers are extremely sensitive to over-voltage. Take extreme precaution to avoid electrostatic charges. Precautions against spiking during switching on and off the power supply must be assured. Correct polarity of power supply must be assured.

During handling personell has to wear wrist straps. Grounded work surfaces and additional antistatic techniques are mandatory during handling. Device failure and safety hazard are caused by operation in excess of maximum ratings. Exceeding output power and temperature specification will result in accelerated device ageing.

Do not mount via any paste-like media!

Example Measurement Data

The charts presented only describe typical examples. All modules are characterised individually, the results being contained in the documentation included. The display options are subject to alteration.



P(I) and U(I) characteristics.

All measurements have been done for Littrow-Configuration and at 20°C in cw operation.

Amplifier output spectrum with and without feedback.

Operation beyond the central tuning range and power specified may induce increased thermic stress to the modules and thereby reduce its service life.

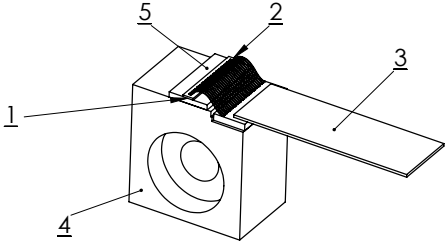
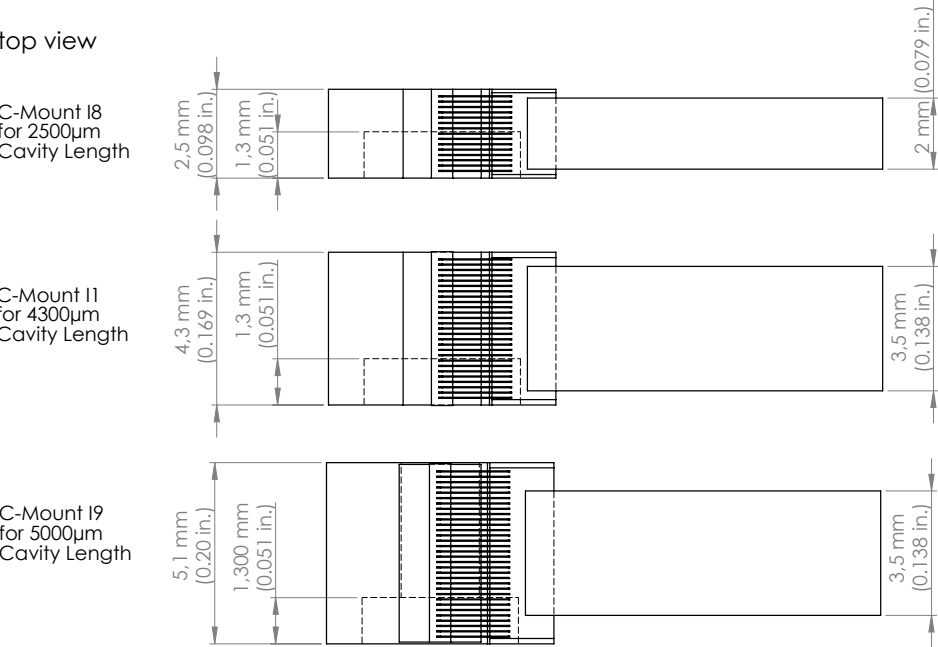
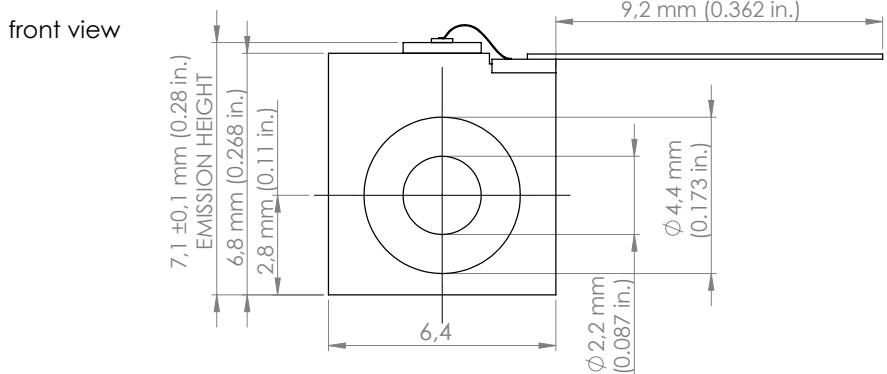
Intensity distribution at the amplifier output facet in the slow axis with and without feedback.

M^2 has been measured using a commercial BeamScope in accordance to ISO 11146.

Amplifier output power at constant current at different wavelengths.

Mechanical Specifications

C-Mount



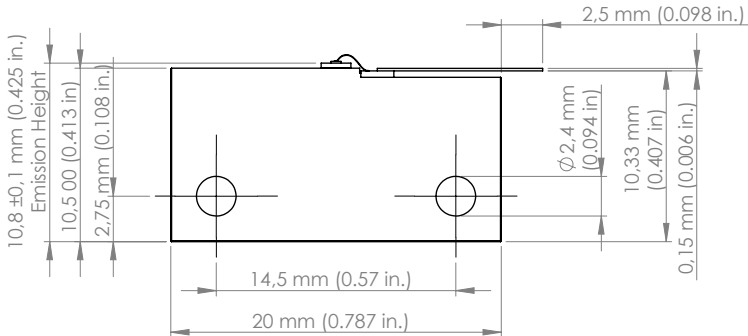
- 1 = taper facet
- 2 = ridge facet
- 3 = Cathode contact
(N-Terminal, - connection)
- 4 = Anode, body
(P-Terminal, + connection)
- 5 = CuW - Submount

Tapered Amplifier for MOPA Setups

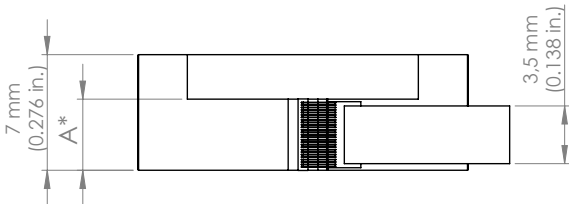
Mechanical Specifications

DHP-Inset

front view

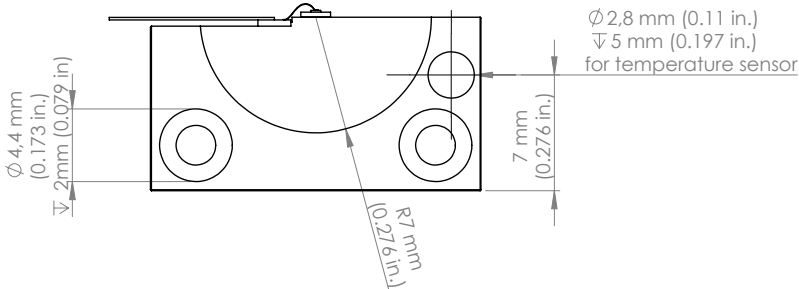


top view

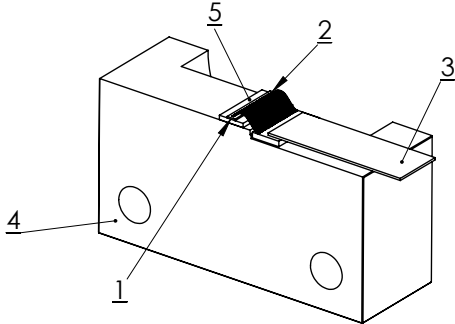


*A is equal to the cavity length (4,3 mm or 5 mm) of the tapered amplifier

rear view

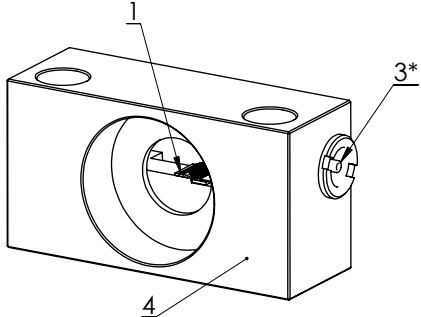
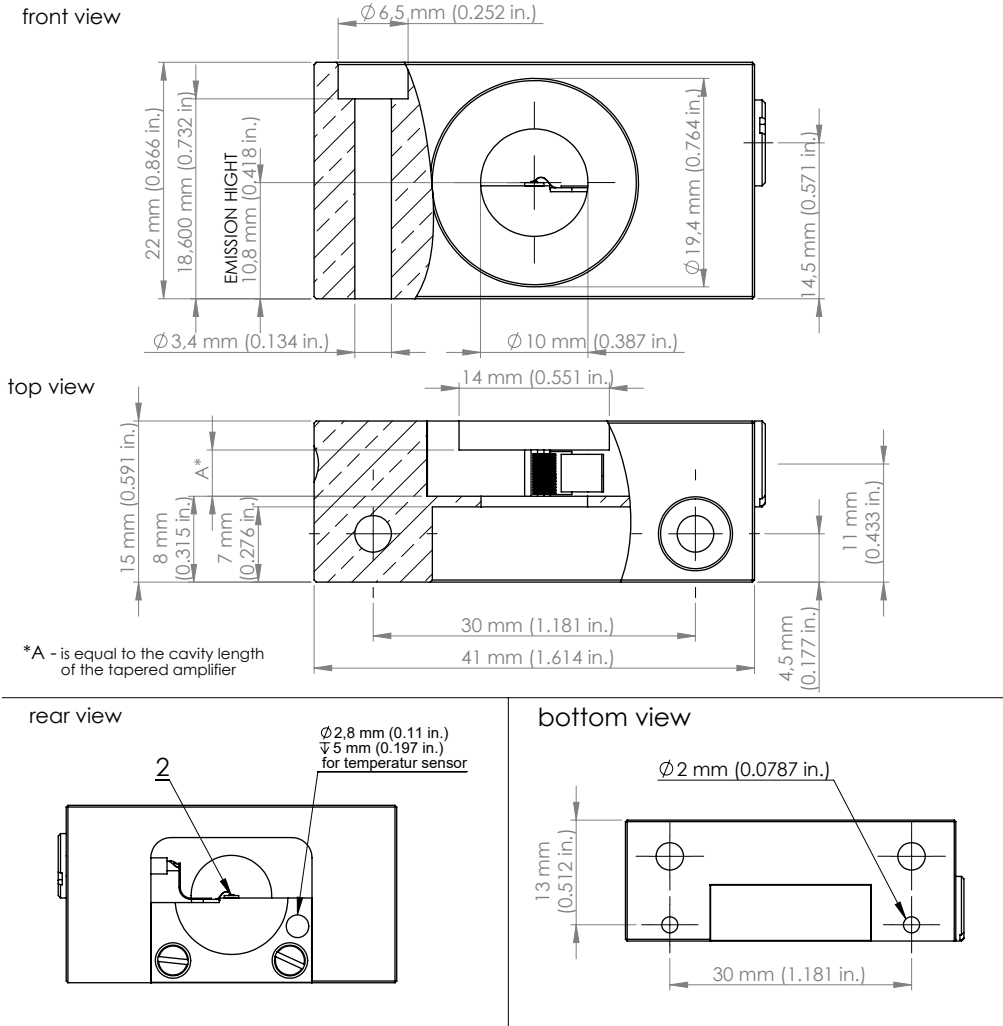


- 1 = taper facet (output)
- 2 = ridge facet
- 3 = Cathode contact (N-Terminal, - connection)
- 4 = Anode, body (P-Terminal, + connection)
- 5 = CuW-Submount



Mechanical Specifications

DHP-Frame



Components

- 1 = taper facet
- 2 = ridge facet
- 3 = Cathode contact (N-Terminal, - connection)
 Lemo connector, Ser.No.: ERC.00.113.CTLZ
- 4 = Anode, body (P-Terminal, + connection)

* also available with Lemo connector
 Ser.No.: ERC.00.250.CTL for coaxial-cable