



QD

Fiber Cable Receivers

High-Power Beam Delivery

An accurate and safe fiber cable receiver is critical for termination of a high-power fiber optic cable. The different Coherent fiber cable receiver assemblies are easy to integrate due to small outer dimensions and simple mechanical interfaces. The receiver locks the fiber optic cable in place and close the fiber safety interlock circuit. The integrated conical interface guarantees a plug and play termination for the fiber optic cable.

FEATURES & BENEFITS

- Safe locking mechanism
- Fiber interlock termination
- Compact dimensions
- Built-in temperature switch
- Plug-and-play

APPLICATIONS

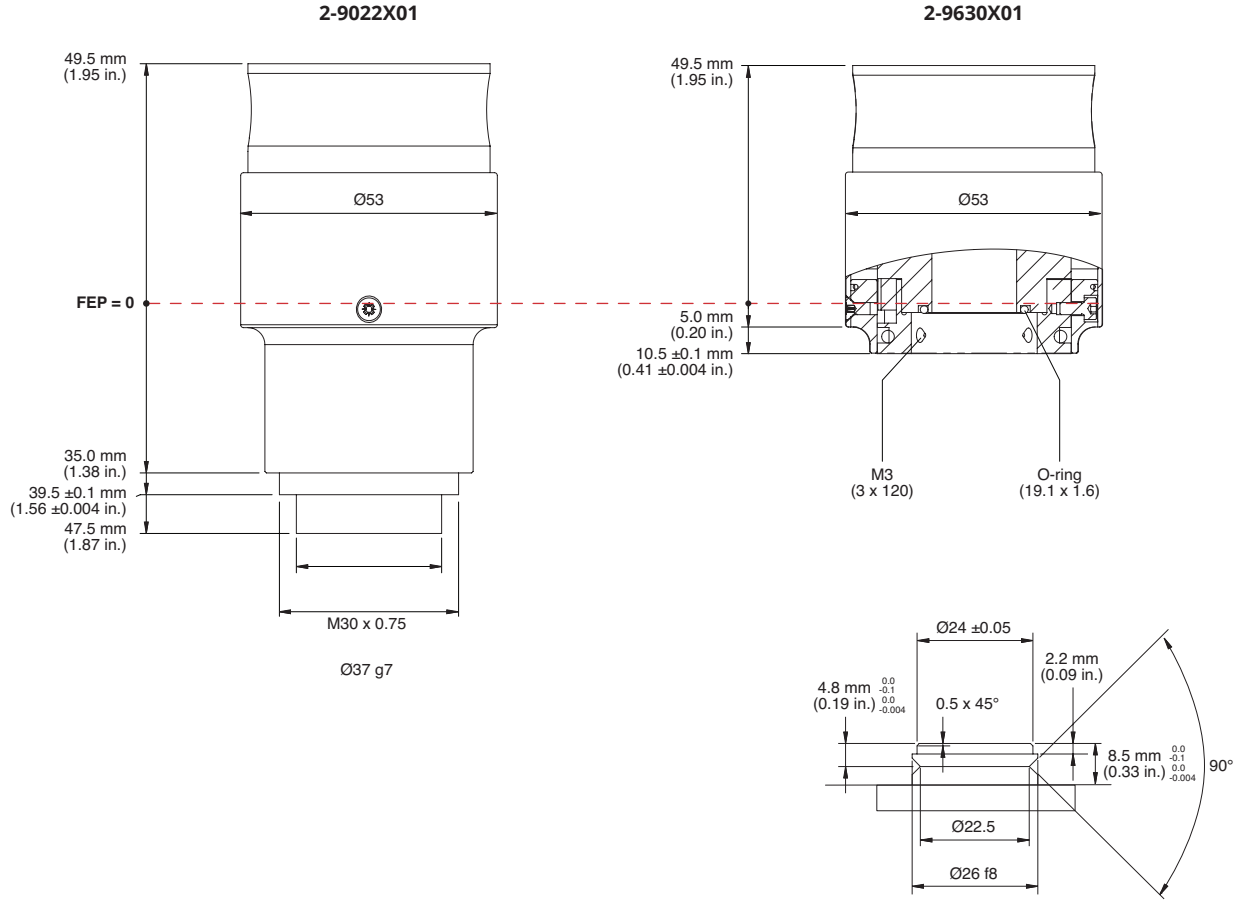
- Welding
- Cutting
- Surface Treatment
- Cladding
- 3D Additive Manufacturing



SPECIFICATIONS		
	Fiber Connector Mount	Bayonet
Fiber Cable Side	Output	Input and Output
Interlock Termination	Short-circuit incl. thermoswitch	Free wires
Thermoswitch	Yes, 70°C ±5°C, reset temp >30°C	No
DIMENSIONS & WEIGHT		
Dimensions	See page 3	See page 4
Weight (kg)	0.5	
ENVIRONMENTAL CONDITIONS		
Humidity (% RH)	<80	
Operating Temperature (°C)	5 to 50	
Storage Temperature (°C)	-25 to 70	
COMPLIANCE INFORMATION		
RoHS	Directives 2011/65/EU and 2015/863/EU	
REACH	Directive EC no 1907/2006	

MECHANICAL SPECIFICATIONS

QD Fiber Connector Mounts



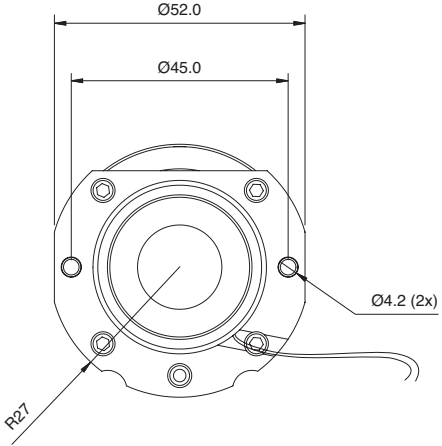
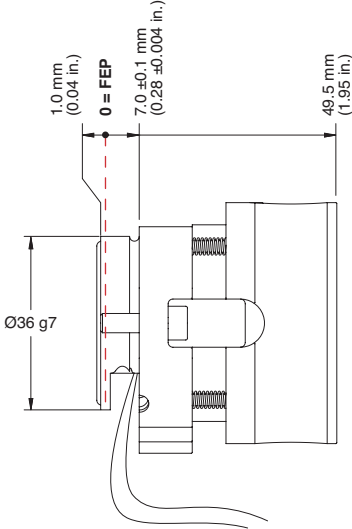
FEP = Fiber End Plane

Male Interface, Short Version
(Customer Interface)

MECHANICAL SPECIFICATIONS

QD Bayonets

2-9027X01, 2-9047X01



FEP = Fiber End Plane
Interlock Wires:
Free Cables [400 mm (15.75 in.)]

PART NUMBERS

Fiber Cable Receivers

Product Description	Part Number
QD Fiber connector mount	2-9022X01
QD Fiber connector mount, short	2-9630X01
QD Bayonet, fiber input side	2-9027X01
QD Bayonet, fiber output side	2-9047X01

Accessories

Accessory	Part Number
QD Bayonet plug	2-3054X01



Coherent, Inc.,
 5100 Patrick Henry Drive Santa Clara, CA 95054
 p. (800) 527-3786 | (408) 764-4983
 f. (408) 764-4646

tech.sales@coherent.com www.coherent.com

Coherent follows a policy of continuous product improvement. Specifications are subject to change without notice. Coherent's scientific and industrial lasers are certified to comply with the Federal Regulations (21 CFR Subchapter J) as administered by the Center for Devices and Radiological Health on all systems ordered for shipment after August 2, 1976.

Coherent offers a limited warranty for all QD Fiber Cable Receivers. For full details of this warranty coverage, please refer to the Service section at www.coherent.com or contact your local Sales or Service Representative. MC-XXX-20-0M1120 Copyright ©2020 Coherent, Inc.