

QBH

# Fiber Cable Receivers

## High-Power Beam Delivery

An accurate and safe fiber cable receiver is critical for termination of a high-power fiber optic cable. The different Coherent fiber cable receiver assemblies are easy to integrate due to small outer dimensions and simple mechanical interfaces. The receiver locks the fiber optic cable in place and close the fiber safety interlock circuit. The integrated conical interface guarantees a plug and play termination for the fiber optic cable.

### FEATURES & BENEFITS

- Safe locking mechanism
- Fiber interlock termination
- Compact dimensions
- Built-in temperature switch
- Plug-and-play

### APPLICATIONS

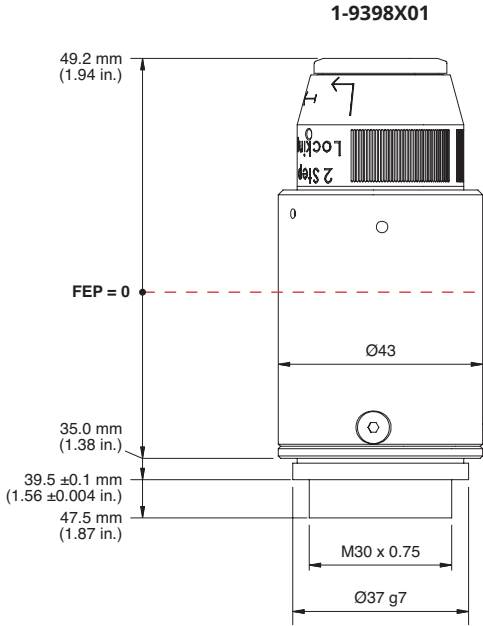
- Welding
- Cutting
- Surface Treatment
- Cladding
- 3D Additive Manufacturing



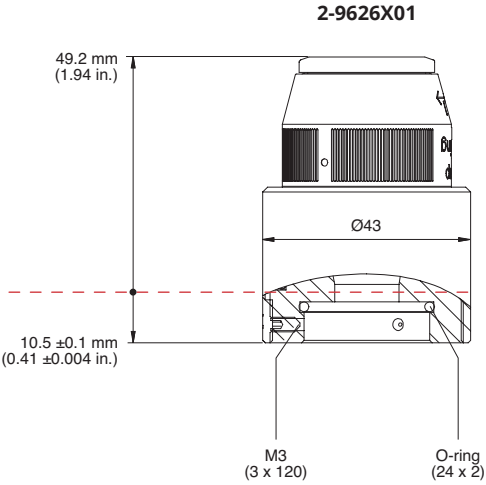
SPECIFICATIONS	Fiber Connector Mount	Bayonet
Fiber Cable Side	Output	Input and Output
Interlock Termination	Short-circuit incl. thermoswitch	Free/short-circuit wires
Thermoswitch	Yes, 70°C ±5°C, reset temp >30°C	No
DIMENSIONS & WEIGHT		
Dimensions	See page 3	See page 4
Weight (kg)	2-9626X01: 0.2 1-9398X01: 0.3	1-9308X01: 0.4 1-9416X01/02: 0.4 1-9087X01/02: 0.2
ENVIRONMENTAL CONDITIONS		
Humidity (% RH)	<80	
Operating Temperature (°C)	5 to 50	
Storage Temperature (°C)	-25 to 70	
COMPLIANCE INFORMATION		
RoHS	Directives 2011/65/EU and 2015/863/EU	
REACH	Directive EC no 1907/2006	

MECHANICAL SPECIFICATIONS

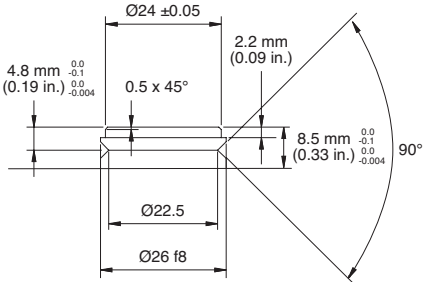
QB Fiber Connector Mounts



FEP = Fiber End Plane



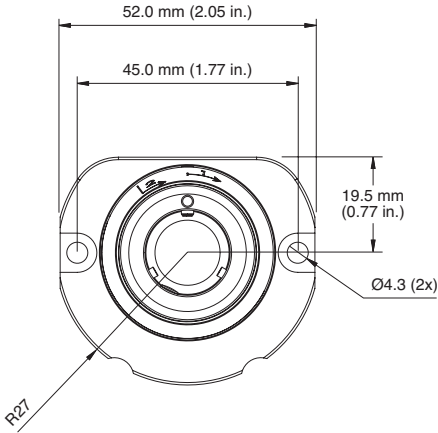
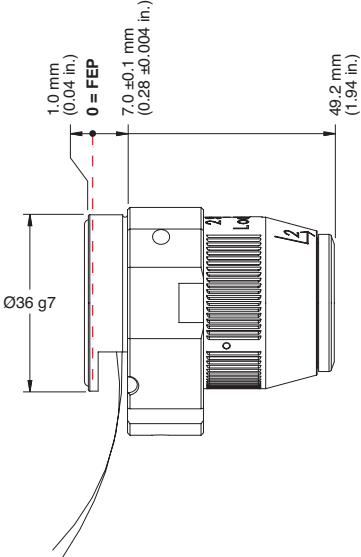
Male Interface, Short Version (Customer Interface)



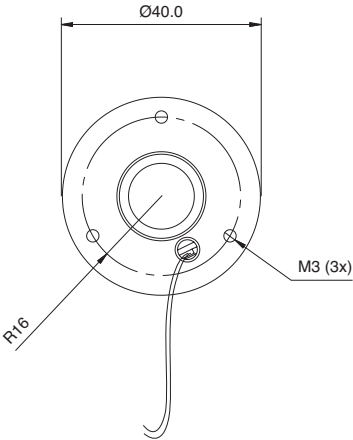
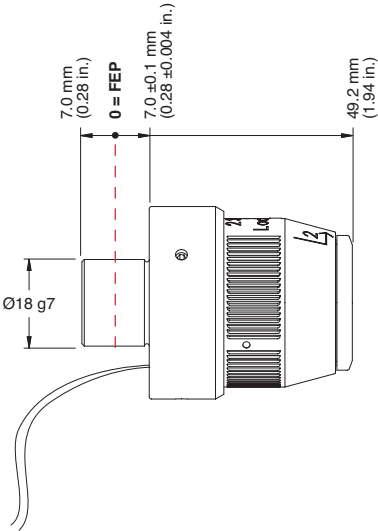
MECHANICAL SPECIFICATIONS

QB Bayonets

1-9416X01/02, 1-9308X01



1-9087X01/02



FEP = Fiber End Plane

Interlock Wires:  
 Free Cables [400 mm (15.75 in.)]  
 Short-Circuit [0 mm (0.0 in.)]

## PART NUMBERS

### Fiber Cable Receivers

Product Description	Part Number
QB Fiber connector mount	1-9398X01
QB Fiber connector mount, short	2-9626X01
QB Bayonet, fiber input side	1-9308X01
QB Bayonet, fiber output side	1-9416X01
QB Bayonet, fiber output side, short-circuit	1-9416X02
QB Bayonet, fiber output side, compact	1-9087X01
QB Bayonet, fiber output side, compact, short-circuit	1-9087X02

### Accessories

Accessory	Part Number
QB Bayonet plug, red	1397199



Coherent, Inc.,  
 5100 Patrick Henry Drive Santa Clara, CA 95054  
 p. (800) 527-3786 | (408) 764-4983  
 f. (408) 764-4646

[tech.sales@coherent.com](mailto:tech.sales@coherent.com) [www.coherent.com](http://www.coherent.com)

Coherent follows a policy of continuous product improvement. Specifications are subject to change without notice. Coherent's scientific and industrial lasers are certified to comply with the Federal Regulations (21 CFR Subchapter J) as administered by the Center for Devices and Radiological Health on all systems ordered for shipment after August 2, 1976.

Coherent offers a limited warranty for all QBH Fiber Cable Receivers. For full details of this warranty coverage, please refer to the Service section at [www.coherent.com](http://www.coherent.com) or contact your local Sales or Service Representative. MC-026-20-0M0920 Copyright ©2020 Coherent, Inc.