

# 785nm, 175/225mW Wavelength Stabilized Lasers



High Power, Narrow Linewidth  
Collimated Output Beam

## Features:

- Compact 9mm TO can footprint
- Exceptionally high power - up to 225mW
- Single Frequency Operation - 12MHz linewidth
- Wavelength stability across operating range <math><0.01\text{nm}/^\circ\text{C}</math>
- Fast-axis collimated output beam
- NoiseBlock™ narrow-band ASE suppression filters and beamsplitters available in matching wavelengths to further reduce linewidth and ASE noise

## Applications:

- Raman Spectroscopy
- Metrology
- Bio-instrumentation
- Sensing
- Analytical Instrumentation

Ondax's 785nm Wavelength Stabilized Laser is a high-power, single mode, single-axis collimated laser packaged in an ultra-compact, TO-can footprint. The narrowed linewidth, low power consumption, and broad temperature operating characteristics deliver affordable, portable instrument-quality performance for a broad range of instrumentation applications.

All SureLock™ Series lasers are stabilized using the Ondax PowerLocker® Volume Holographic Grating (VHG), ensuring precise, ultra-stable center wavelengths, low temperature dependence, and consistent optical performance over the locked region.

## Specifications:

### Specification Summary

Parameter	Symbol	Min	Typ	Max	Unit
Output Power	$P_o$		175 225		mW
Center Wavelength (vacuum)	$\lambda_o$	784.5	785	785.5	nm
Linewidth	$\Delta\lambda$		12		MHz
Central Stabilized Temperature	$T_c$	15	25	40	$^\circ\text{C}$
Stabilized Temperature Range	$T_r$	10			$^\circ\text{C}$

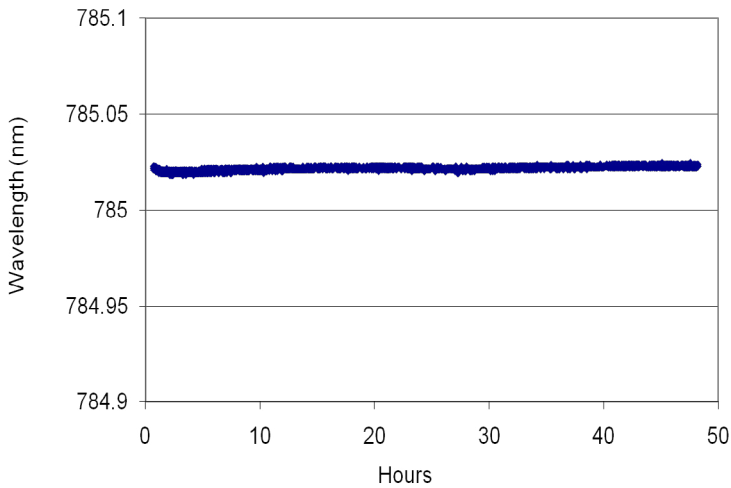
### Operating Specifications

Parameter	Symbol	Min	Typ	Max	Unit
Threshold Current	$I_{th}$		80	110	mA
Operating Current	$I_{op}$		350	500	mA
Operating Voltage	$V_{op}$		2	2.8	V
Beam Divergence, Perpendicular (FWHM)	$Q_v$		0.2		mrاد
Beam Divergence, Parallel (FWHM)	$Q_h$		0.1		mrاد
Differential Efficiency	DE (dP/dI)		0.6		mW/mA
Operating Temperature <sup>2</sup>	$T_{op}$	0		35	$^\circ\text{C}$
Storage Temperature <sup>2</sup>	$T_s$	-10		60	$^\circ\text{C}$
Polarization			100:1		
Collimated Beam Diameter			0.25x 0.7		mm

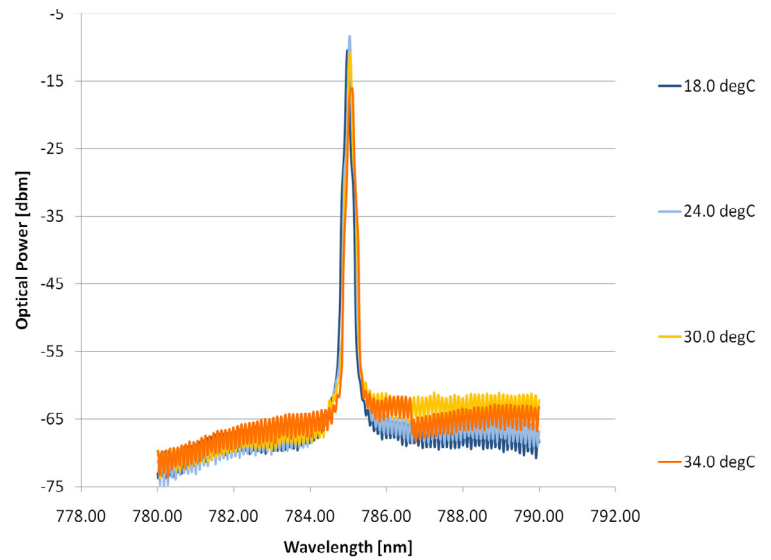
<sup>1</sup>All specifications are at rated power with a case temperature of 25 $^\circ\text{C}$  unless otherwise noted <sup>2</sup>Non-condensing

## 785nm, 175/225mW Wavelength Stabilized Lasers

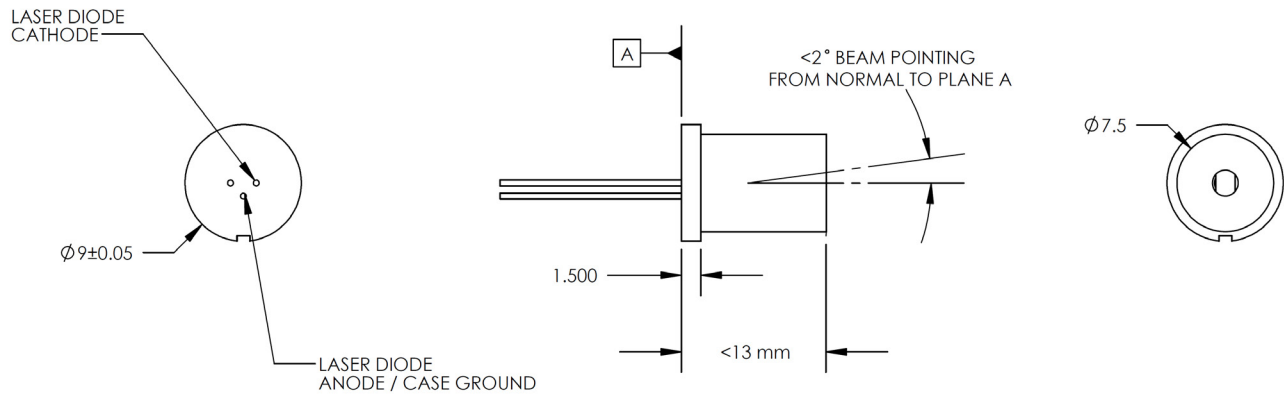
### Wavelength Stability



### Optical Spectrum (Sample)



### Outline Drawing

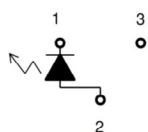


### Pinout

Pin	Description
1	Laser Diode Cathode
2	Laser Diode Anode/Case Ground
3	N/A (Not Connected)

### Model Number

CP-785-PLR175  
CP-785-PLR225



- 1: Laser Diode Cathode
- 2: Laser Diode Anode / Case Ground
- 3: N/A

