



USB and RS-232 Kilowatt OEM Power Sensors

Compact OEM Thermopile Sensors for High Power

Coherent offers a variety of off-the-shelf OEM sensors that cover wide range - from 10 mW to 1 kW, DUV to far IR, and small to large area.

These kilowatt thermopile sensors are water-cooled for measuring laser power up to 1 kW. They are compact designs and more easily fit inside laser systems than some of our other kW sensors. These sensors are configured with USB and RS-232 cables for direct connection to a PC or industrial controller. DB-25 sensor for use with our stand alone meters are also available.

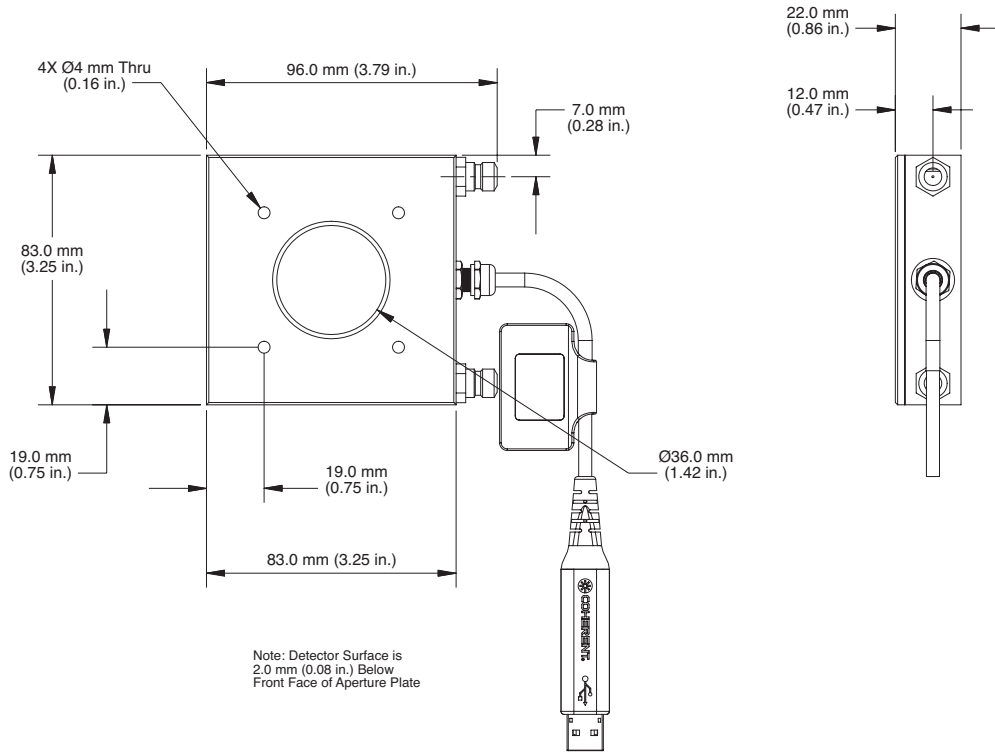
FEATURES & BENEFITS

- Small compact design
- Air- or water-cooled
- Cost effective
- 19 mm, 35 mm, and 50 mm apertures
- RoHS Compliant



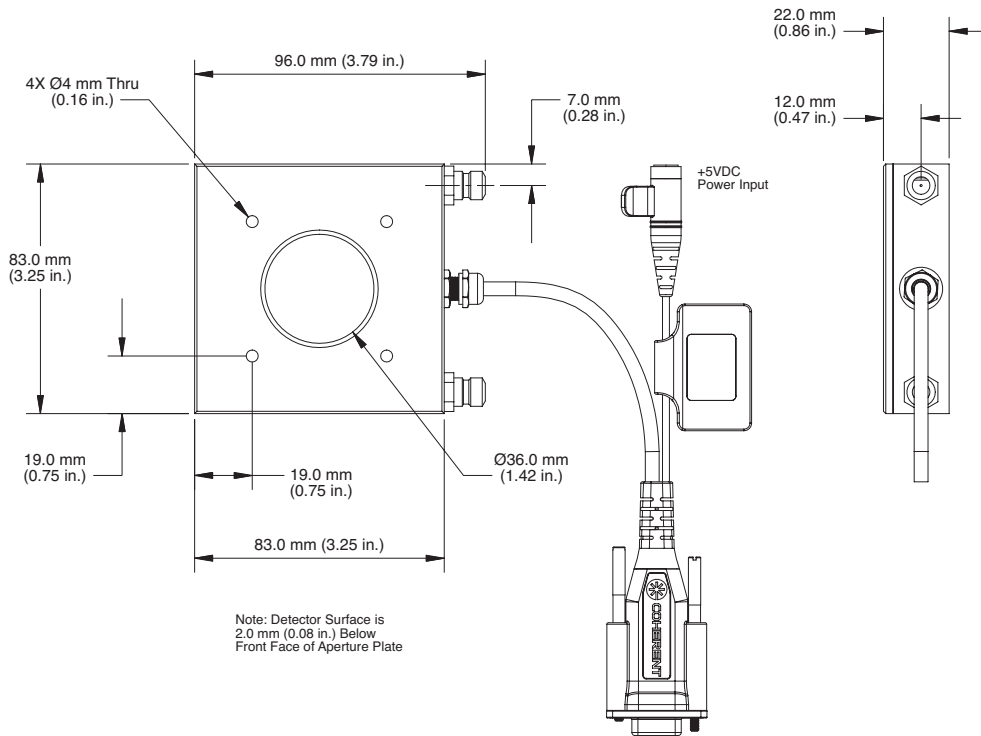
MECHANICAL SPECIFICATIONS

PM1K-36C (USB)



MECHANICAL SPECIFICATIONS

PM1K-36C (RS)



Coherent, Inc.,
 5100 Patrick Henry Drive Santa Clara, CA 95054
 p. (800) 527-3786 | (408) 764-4983
 f. (408) 764-4646

tech.sales@coherent.com www.coherent.com

Coherent follows a policy of continuous product improvement. Specifications are subject to change without notice. Coherent's scientific and industrial lasers are certified to comply with the Federal Regulations (21 CFR Subchapter J) as administered by the Center for Devices and Radiological Health on all systems ordered for shipment after August 2, 1976.

Coherent offers a limited warranty for all Kilowatt OEM Power Sensors. For full details of this warranty coverage, please refer to the Service section at www.coherent.com or contact your local Sales or Service Representative. MC-015-20-0M0420 Copyright ©2020 Coherent, Inc.