



# PowerLine Pico 10

## Short-Pulse Laser for Marking and Micro Processing

PowerLine Pico 10 laser markers from Coherent feature an unconventional pulse width of 0.5 ns and offer unique marking and thin film ablation capabilities. Short pulses allow smaller alphanumeric and 2D code marking, improve precision of material removal, and overall reduce thermal effects when compared to common q-switched lasers. The PowerLine Pico 10 will offer solutions where conventional marking lasers deliver unsatisfying results. These attractive features are complemented by a compact laser marker design and low cost.

### FEATURES & BENEFITS

- Unique pulse width, unique material interaction
- 1064 nm or 532 nm
- Integrated laser positioning help
- Air cooled laser
- Compact size
- Low operating costs

### APPLICATIONS

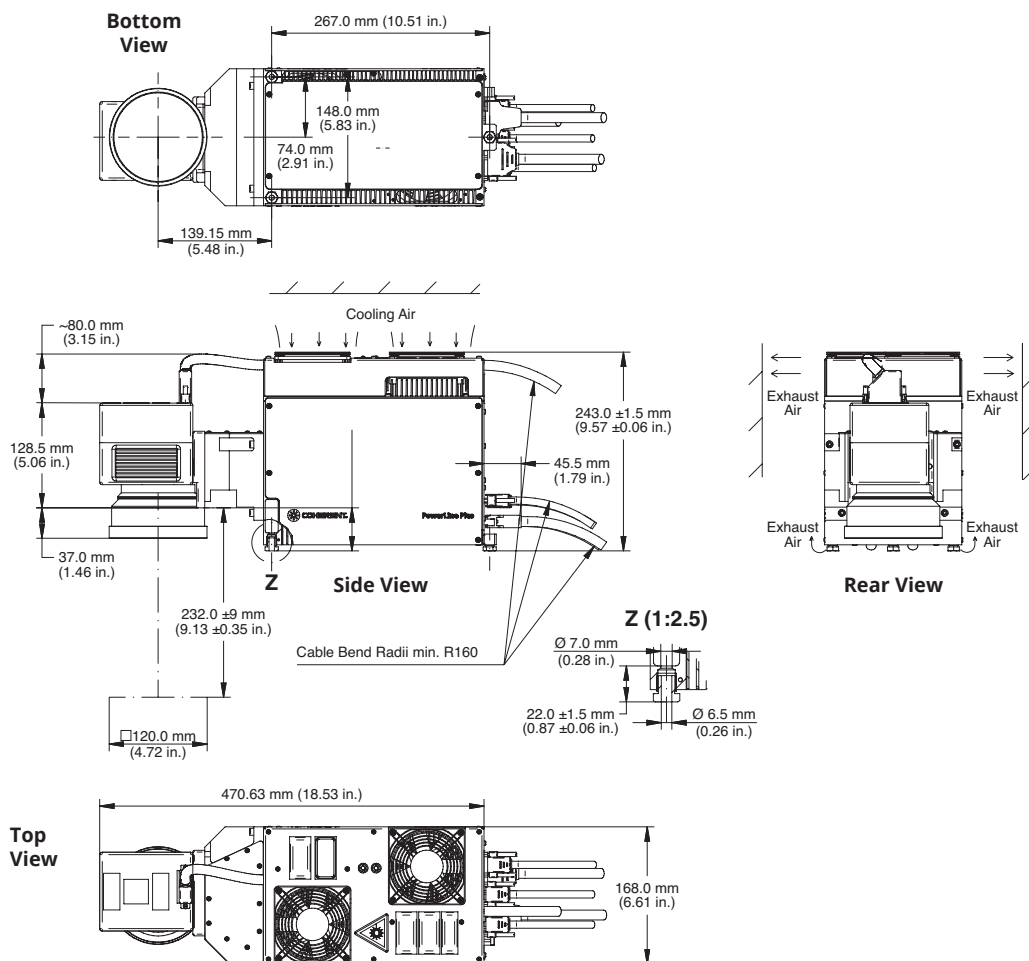
- Plastic Marking
- Shallow Marking
- Thin Film Ablation
- Removal of Plastic Coatings
- Wafer Backside Marking



SPECIFICATIONS	PowerLine Pico 10-1064	PowerLine Pico 10-532
Wavelength (nm)	1064	532
Average Power (W) (400 kHz)	8	3
Frequency Range (kHz)	200 to 800	
Pulse Energy (μJ) (400 kHz)	20	up to 7.5
Pulse Width (ns)	0.5	
M <sup>2</sup>	<1.5	
Beam Waist (mm)	2.0	1.2
Controller	RCU - ITX	
Software	VLM 5.2, Windows 10	
Chiller	Air-cooling	
Dimensions (L x W x H)		
Standard	470.63 x 168 x 243 mm (18.53 x 6.61 x 9.57 in.)	
Long Flange	560.63 x 168 x 243 mm (22.07 x 6.61 x 9.57 in.)	
Environmental Temperature	15 to 35°C (59 to 95°F)	

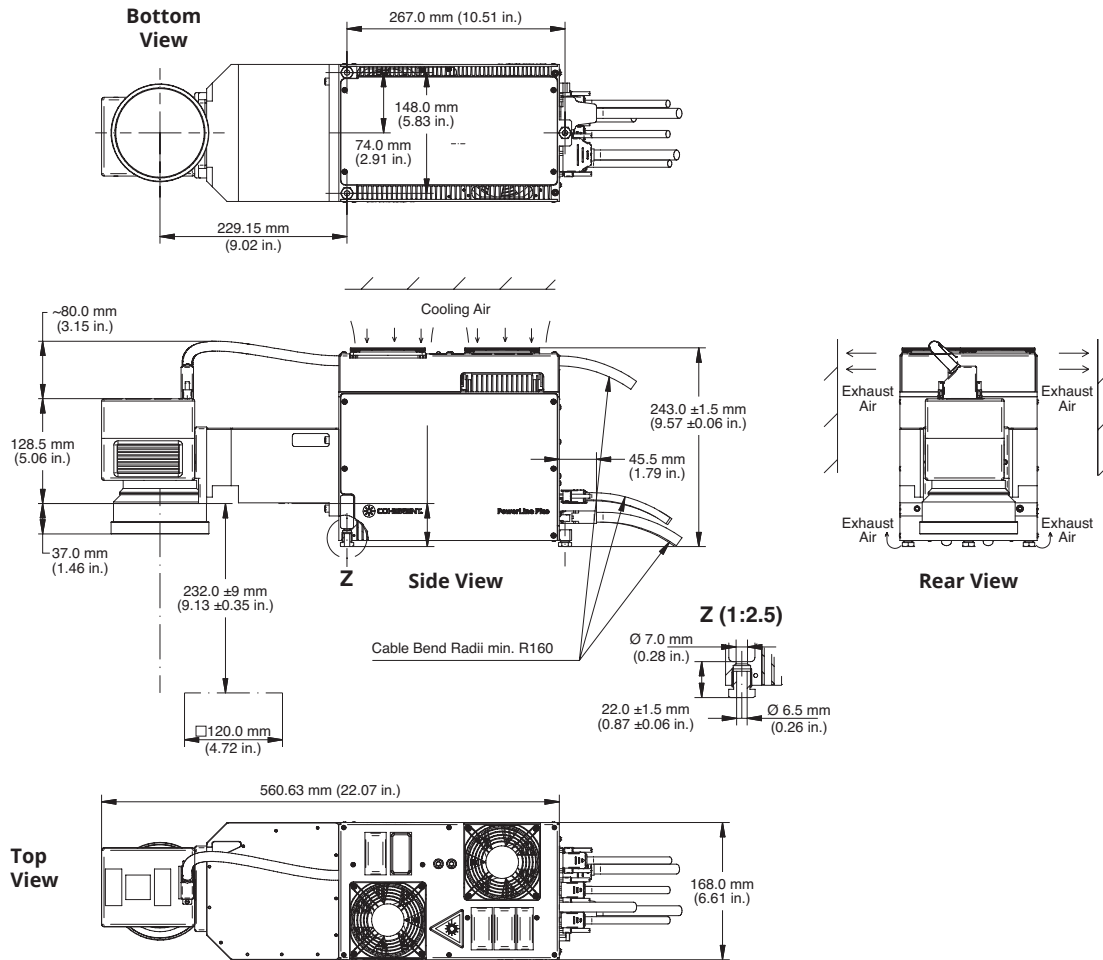
## MECHANICAL SPECIFICATIONS

### PowerLine Pico 10 Standard



## MECHANICAL SPECIFICATIONS

### PowerLine Pico 10 with Long Flange



Coherent, Inc.,  
5100 Patrick Henry Drive Santa Clara, CA 95054  
p. (800) 527-3786 | (408) 764-4983  
f. (408) 764-4646

[tech.sales@coherent.com](mailto:tech.sales@coherent.com) [www.coherent.com](http://www.coherent.com)

Coherent follows a policy of continuous product improvement. Specifications are subject to change without notice.

Coherent offers a limited warranty for all PowerLine Pico 10 Lasers. For full details of this warranty coverage, please refer to the Service section at [www.coherent.com](http://www.coherent.com) or contact your local Sales or Service Representative.  
MC-042-19-0M1019 Copyright ©2019 Coherent, Inc.