



High Power Water-Cooled Thermopile Sensors to 5 kW

Measure Industrial CO₂ and Nd:YAG Lasers at Power Levels up to 5 kW

Water-cooling and careful thermal management within these sensors enable them to deliver kW level power handling capacity. They can capably measure industrial CO₂ and Nd:YAG lasers at power levels from 100 W up to 5 kW.

FEATURES & BENEFITS

- Maximum power from 1 kW to 5 kW
- Minimum power down to 100 W
- Water-cooled
- 0.15 μm to 11 μm spectral range
- 50 mm aperture
- RoHS compliant



High Power Water-Cooled Thermopile Sensors to 5 kW - DB-25 Datasheet

SPECIFICATIONS	PM1K	PM3K	PM5K
Wavelength Range (μm)	0.25 to 11		
Power Range (W)	100 to 1000	100 to 3000	100 to 5000
Max. Intermittent Power ¹ (<5 min.) (W)	3000	5000	10,000
Resolution (W)	1		
Maximum Power Density ² (kW/cm^2)	1 to 2.5		
Maximum Energy Density (mJ/cm^2)	600		
Response Time (sec.)	30		
Detector Coating	Broadband		
Active Area Diameter (mm)	50		
Calibration Uncertainty (%) (k=2)	± 3		
Calibration Wavelength (nm)	1070		
Cooling Method	Water		
Cable Type	PM DB-25		
Cable Length (m)	2		
Part Number	1098392 ³	1098462 ³	1098454 ³

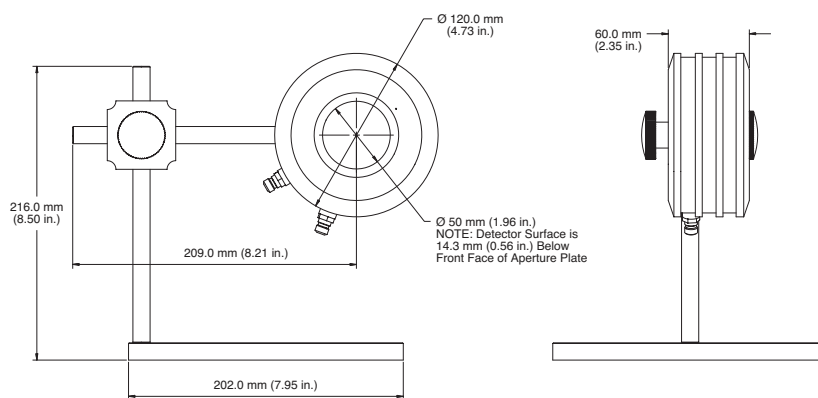
¹ Intermittent power levels may be sustainable for longer than 5 minutes when used with lasers with large diameter, non-Gaussian beam profiles. Monitor closely for coating damage if used longer than five minutes at higher powers.

² The damage resistance of the coating is dependent upon the beam size and profile, the average power level, and the water flow rate. Contact Coherent or your local representative for details related to your application.

³ C24 Quick Ship program: eligible for next business day shipment.

MECHANICAL SPECIFICATIONS

PM1K/PM3K/PM5K



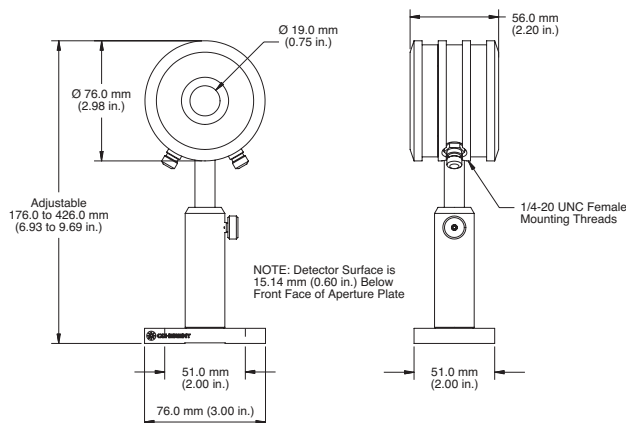
High Power Water-Cooled Thermopile Sensors to 5 kW - DB-25 Datasheet

SPECIFICATIONS	PM300
Wavelength Range (μm)	0.25 to 11
Power Range (W)	1 to 300
Max. Intermittent Power ¹ (<5 min.) (W)	450
Resolution (W)	100
Maximum Power Density ² (kW/cm ²)	6
Maximum Energy Density (mJ/cm ²)	600, 1064 nm, 10 ns
Response Time (sec.)	5
Detector Coating	Broadband
Active Area Diameter (mm)	19
Calibration Uncertainty (%) (k=2)	±1
Calibration Wavelength (nm)	514
Cooling Method	Water
Cable Type	PM DB-25
Cable Length (m)	2
Part Number	1141474

¹ Intermittent power levels may be sustainable for longer than 5 minutes when used with lasers with large diameter, non-Gaussian beam profiles. Monitor closely for coating damage if used longer than five minutes at higher powers.
² The damage resistance of the coating is dependent upon the beam size and profile, the average power level, and the water flow rate. Contact Coherent or your local representative for details related to your application.

MECHANICAL SPECIFICATIONS

PM300



Coherent, Inc.,
 5100 Patrick Henry Drive Santa Clara, CA 95054
 p. (800) 527-3786 | (408) 764-4983
 f. (408) 764-4646

tech.sales@coherent.com www.coherent.com

Coherent follows a policy of continuous product improvement. Specifications are subject to change without notice. Coherent's scientific and industrial lasers are certified to comply with the Federal Regulations (21 CFR Subchapter J) as administered by the Center for Devices and Radiological Health on all systems ordered for shipment after August 2, 1976.

Coherent offers a limited warranty for all High Power Water-Cooled Thermopile Sensors. For full details of this warranty coverage, please refer to the Service section at www.coherent.com or contact your local Sales or Service Representative. MC-XXX-19-0M0719 Copyright ©2019 Coherent, Inc.