

# LEAP Series

## High Duty-Cycle Excimer Laser

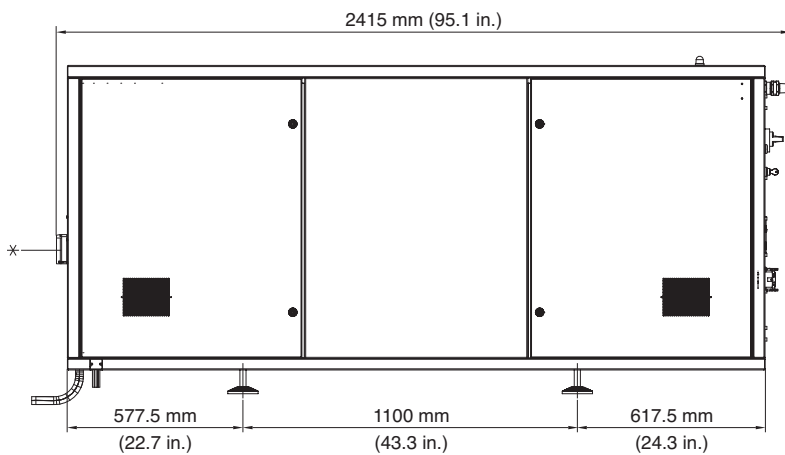
### Features

- Short UV wavelength, 308 nm or 248 nm  
- precise “cold” ablation with micron resolution
- Stabilized high UV-pulse energies up to 650 mJ  
- efficient processing with large area per pulse
- Large range of pulse energy and repetition rate  
- cost efficient operation in many applications
- High average power of 130W  
- large area processing with reduced TACT Time
- Long-Life-Design - uncompromised longevity  
- solid-state laser excitation

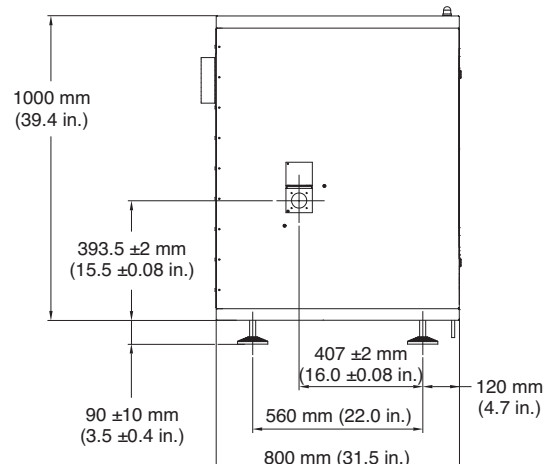


### Mechanical Specifications

Side View



Front View



**Superior Reliability & Performance**

# LEAP Series

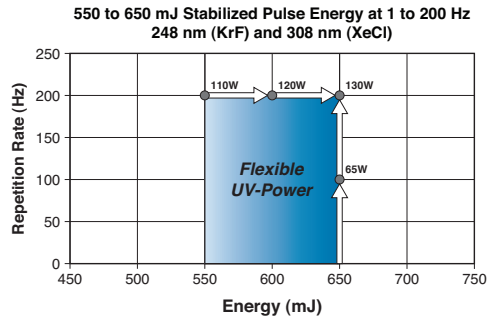
## High Duty-Cycle Excimer Laser

### System Specifications

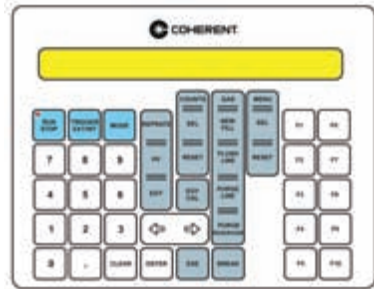
	LEAP 130K	LEAP 130C
Wavelength (nm)	248	308
Stabilized Energy Range (mJ)	550 to 650	550 to 650
Max. Stabilized Average Power (W)	130	130
Max. Repetition Rate (Hz)	200	200
Energy Stability (sigma) <sup>1</sup>	<1.5%	<1.5%
Pulse Duration (FWHM, typ.)(ns)	22 ± 5	22 ± 5
Beam Dimensions (V x H, FWHM, typ.)(mm <sup>2</sup> )	35 ± 3.5 x 12.5 ± 2	
Divergence (V x H, FWHM, typ.)(mrad <sup>2</sup> )	<4.5 x 1.5	
Dynamic Gas Lifetime (at max. stabilized energy)(mio. pulses)	30	
Electrical (kVA)	8.6, 3-phase, 200/208 or 400 VAC, 50/60 Hz	
Water Cooling	20 l/min. T = 19 to 21° C	
Weight	850 kg (1874 lbs.)	
Cabinet Size (L x W x H)	2415 x 800 x 1130 mm <sup>3</sup> (95.1 x 31.4 x 44.5 in. <sup>3</sup> )	

<sup>1</sup> Sigma correspond to rms.

### LEAP Excimer Laser Operation Range



### Hand-Held Terminal



Coherent follows a policy of continuous product improvement. Specifications are subject to change without notice.

Coherent's scientific and industrial lasers are certified to comply with the Federal Regulations (21 CFR Subchapter J) as administered by the Center for Devices and Radiological Health on all systems ordered for shipment after August 2, 1976.

Coherent offers a limited warranty for all LEAP Series lasers. For full details of this warranty coverage, please refer to the Service section at [www.Coherent.com](http://www.Coherent.com) or contact your local Sales or Service Representative.



[www.Coherent.com](http://www.Coherent.com)

**Coherent, Inc.**  
5100 Patrick Henry Drive  
Santa Clara, CA 95054  
phone (800) 527-3786  
(408) 764-4983  
fax (800) 362-1170  
(408) 988-6838  
e-mail [tech.sales@Coherent.com](mailto:tech.sales@Coherent.com)

Benelux +31 (30) 280 6060  
China +86 (10) 6280 0209  
France +33 (0)1 6985 5145  
Germany +49 (6071) 968 333  
Italy +39 (02) 34 530 214  
Japan +81 (3) 5635 8700  
Korea +82 (2) 460 7900  
UK +44 (1353) 658 833

