

SPECIFICATIONS

OPTICAL

MODE: CW
 WAVELENGTH: 635nm TYPICAL
 OUTPUT POWER: 5.0mW ±5% @ FACE
 LASER CLASS: CLASS IIIb, NON-CONFORMING
 CDRH 21CFR §1040: IEC 60825-1:
 SPOT SIZE @ FACE: 1mm TYPICAL
 BEAM DIVERGENCE: 1mrad TYPICAL
 CIRCULARITY: ≥80%
 RMS NOISE: ≤0.06% (10Hz~10MHz)

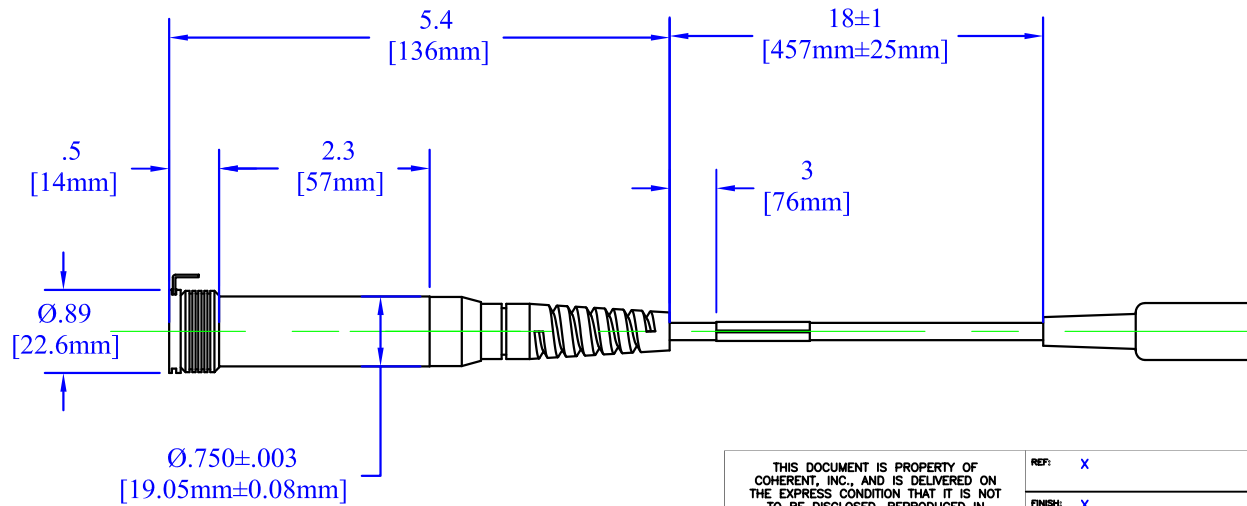
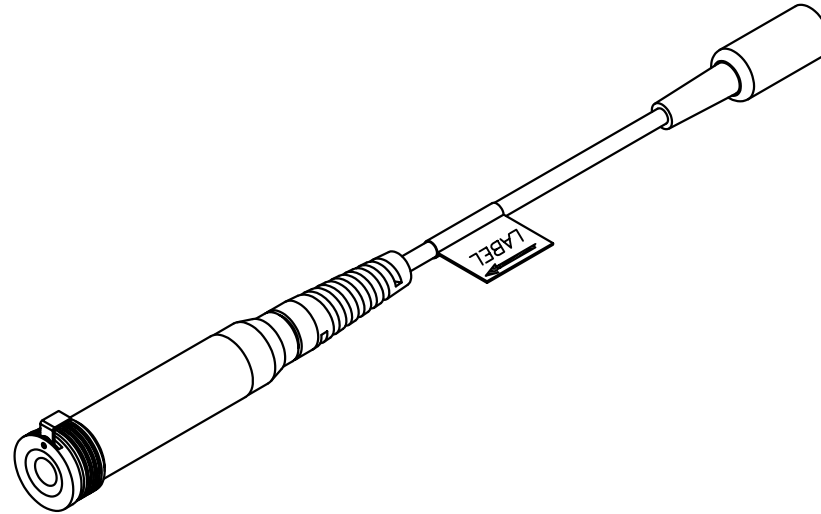
ELECTRICAL

OPERATING VOLTAGE: 5 PIN DIN
 TERMINATION: 5 PIN DIN
 PIN 1: GROUND (BLACK LEAD)
 PIN 2: OPEN
 PIN 3: 5VDC POWER (RED LEAD)
 PIN 4: OPEN
 PIN 5: 12VDC~15VDC (WHITE LEAD)
 OPERATING CURRENT: 70mA TYPICAL
 150mA MAX

MECHANICAL

OPERATING TEMP: -10°C~+40°C
 CASE: ANODIZED: ELECTRICALLY NEUTRAL

VALUES @ 25°C



SPECIFICATION PAGE 1 OF 1

THIS DOCUMENT IS PROPERTY OF COHERENT, INC., AND IS DELIVERED ON THE EXPRESS CONDITION THAT IT IS NOT TO BE DISCLOSED, REPRODUCED IN WHOLE OR IN PART OR USED FOR MANUFACTURE FOR ANYONE OTHER THAN COHERENT INC., WITHOUT IT'S WRITTEN CONSENT, AND THAT NO RIGHT IS GRANTED TO DISCLOSE OR SO USE ANY INFORMATION CONTAINED IN SAID DOCUMENT. THIS RESTRICTION DOES NOT LIMIT THE RIGHT TO USE INFORMATION OBTAINED FROM ANOTHER SOURCE.				REF: X
PARTS MUST CONFORM TO COHERENT ENG SPECIFICATION #0900-000-00.				FINISH: X
ALL DIA'S TO BE CONCENTRIC WITHIN .005 TIR UNLESS OTHERWISE SPECIFIED, DIMENSIONS ARE IN INCHES AND TOLERANCES ARE: DEC .X ± .1 mm ± .1 .XX ± .01 cm ± .1 .XXX ± .005 ANG ± 1' FIN ✓ BREAK ALL SHARP EDGES .005-.010				
DRAWN: KELLEY,G DATE: 8-22-05 CHECKED: X DATE: X DESIGNER: MILLER,C DATE: 11-08-00 PROJECT: X DATE: X	ENGINEER: MILLER,C DATE: 11-08-00 RELEASED: X DATE: X	DO NOT SCALE DRAWING	TITLE: COHERENT 2303 Lindbergh Street, Auburn, California 95602 • (530) 823-9550 SYS, LABLASER, ULN 5mW, 635nm	REF: AB
SCALE: NONE		SHEET 2 OF 3		DRAWING NO. 31-0144-000
31-0144-000-AB CAD SYSTEM DESIGN NO.				