

OBIS LX/LS Single Laser Remote

Full Feature Laser Remote and Power Supply

OBIS LX and OBIS LS laser products come with a variety of accessories to support your application needs.

The OBIS Single Laser Remote for OBIS LS and OBIS LX offers all the features from the laser in a convenient CDRH-compliant interface.

As with all OBIS LX and OBIS LS lasers, the laser itself offers a stand-alone all-in-one laser solution. The OBIS laser comes with a Power Connection, USB Connection, Fan Connection and a SDR-type Connection for laser control I/O. All of these are on the back panel of every OBIS LX/LS laser.

To simplify integration the OBIS Single Laser Remote connects to the single SDR-type connector for power, signals, and communication. The OBIS Single Laser Remote then brings all of these features to controls and connectors on the remote's front and back panel.

OBIS Single Laser Remotes can even be stacked together with the provided mounting hardware for applications using multiple OBIS LX/LS lasers.

FEATURES & BENEFITS

- Compact size
- Laser safety features (CDRH) such as key switch and interlock
- Laser status indicators
- Full input and output connections for control, analog modulation, and digital modulation
- Compact power supply for single laser included
- Brackets for mounting and stacking included

APPLICATIONS

- Laboratories that require CDRH features
- Applications that require simple analog, digital, or analog and digital combined inputs to control the laser
- Applications that require laser control at a remote location away from the laser



SPECIFICATIONS		OBIS LX/LS Single Laser Remote
Host Computer Remote Control via USB ¹		USB 2.0, Mini B
Host Computer Remote Control via RS-232 ¹		RS-232, 115.2 K
Interlock		Yes, included with shorting wire
Laser Status Indicators		Yes
Analog Modulation Input		SMB Connector, 0V to 5V, 50 Ω or 2000 Ω input impedance
Digital Modulation Input ²		SMB Connector, 0 V to 3 V, 50 Ω input impedance
Warm-up Time (minutes) (from cold start)		<2
Coherent OBIS Connection Software ³		Included on USB drive with user manual
Safety		Key switch and interlock
UTILITY AND ENVIRONMENTAL REQUIREMENTS		
Power Consumption (W) (typical)		1 (laser not included)
Power Consumption (W) (maximum)		2 (laser not included)
Power Input to Remote, 2 Pin		10 to 14 Volts DC at 2A (maximum, 25 W), Molex Contact Pin P/N: 43031-0009
Power Cord (North American)		2.4 m (8 ft.)
Operating Condition ⁴ (°C)		0 to 40
Non-operating Condition ⁴ (°C)		-10 to +70
Shock Tolerance (6 ms)		20 g
Power Input to Power Supply		90 to 264 VAC, 47 to 63 Hz
Dimensions (L x W x H)		105 x 68 x 36 mm (4.1 x 2.7 x 1.4 in.)
Weight		
OBIS Single Laser Remote		190 g (6.7 oz)
Power Supply (included)		170 g (6.0 oz)
Part Number for OBIS Single Laser Remote		1173961 (does not include SDR Laser-to-Remote Cable, order separately below) 1214875 (includes 1 meter SDR Laser-to-Remote Cable, and Power Supply with Power Cord)
Part Numbers for Cable, SDR, OBIS LX/LS, and OBIS XT Laser-to-Remote, Male-Male		
1-meter		1179451
3-meter		1179858
0.3-meter		1197523
Part Number for OBIS Power Supply, 12VDC		1184491 (Power Cord not included)

¹ Host computer not provided. USB cable provided. RS-232 cable not provided.

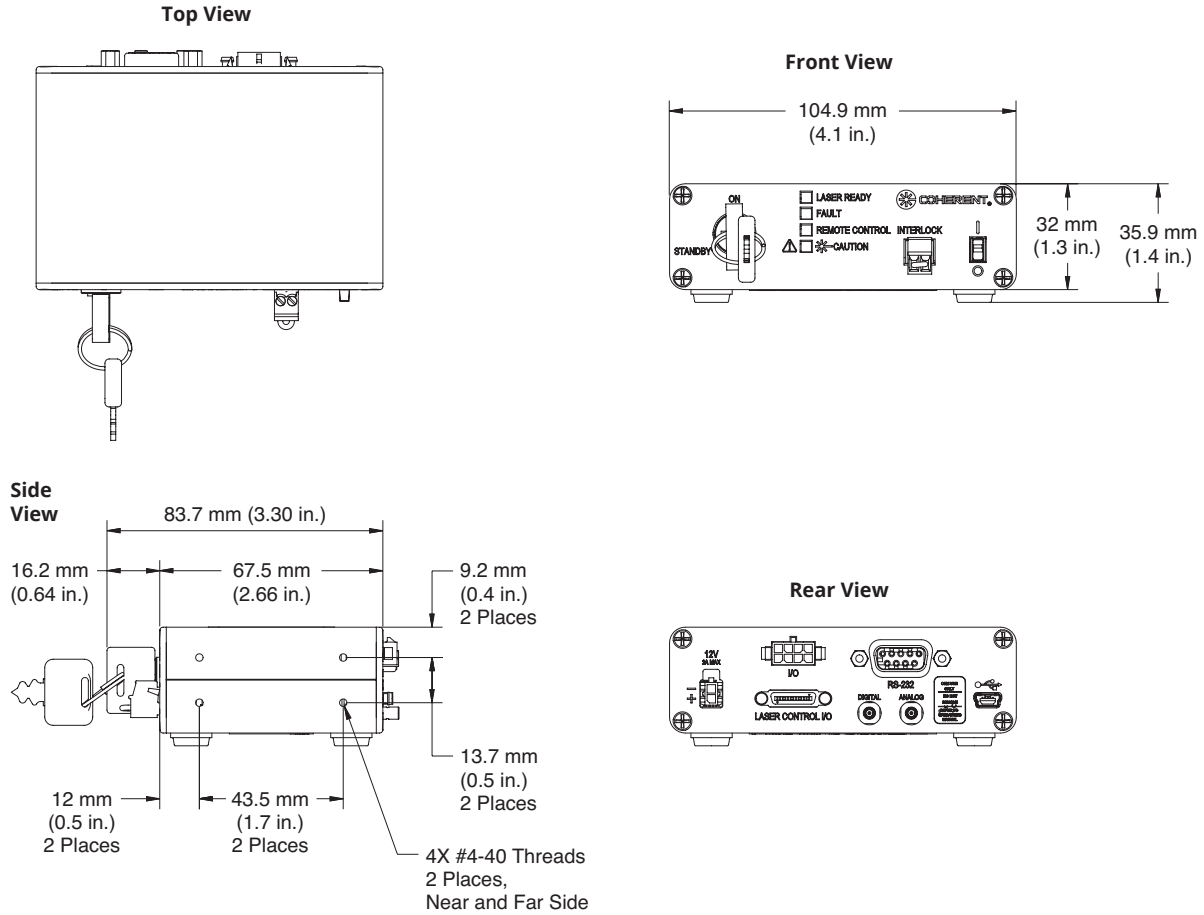
² Digital modulation can be driven up to 5V.

³ Software operates on Windows 7, 10.

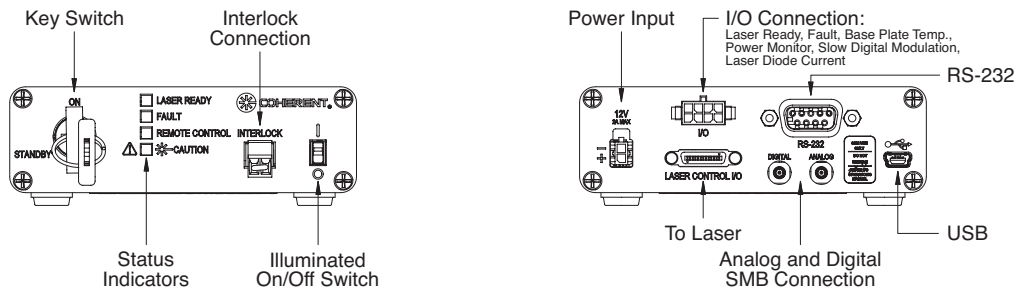
⁴ Non-condensing.

MECHANICAL SPECIFICATIONS

OBIS LX/LS Single Laser Remote



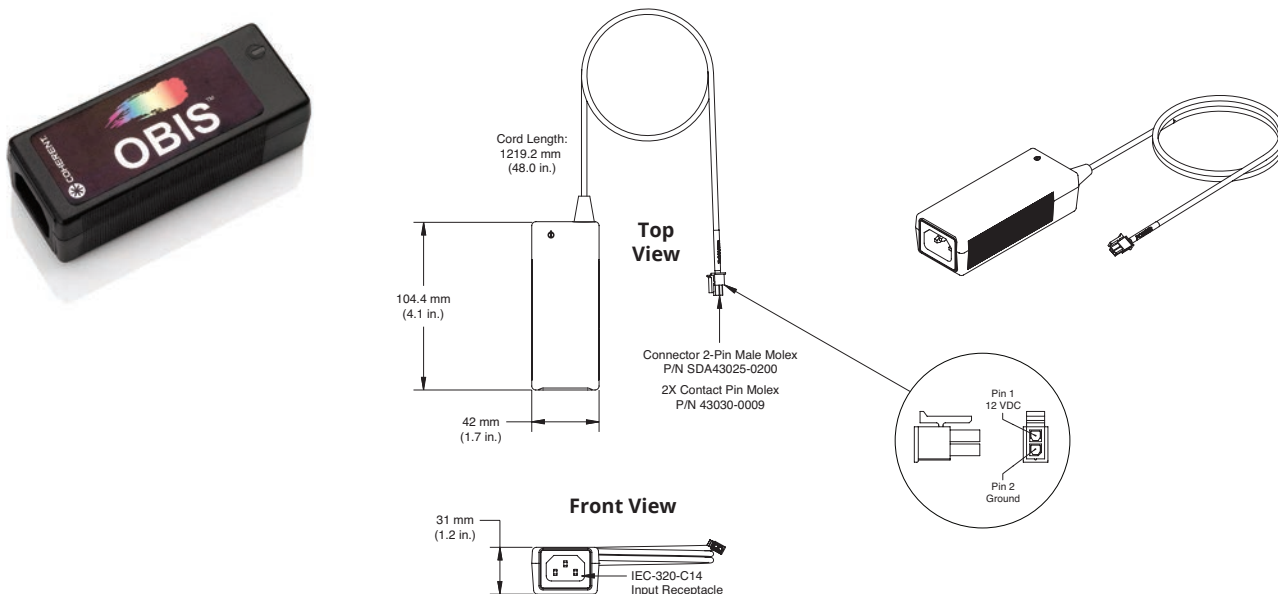
OBIS LX/LS Single Laser Remote Controls



OBIS Single Laser Remote Accessories

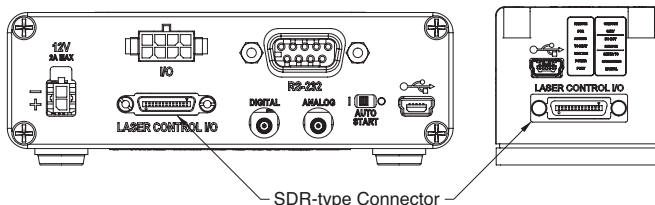
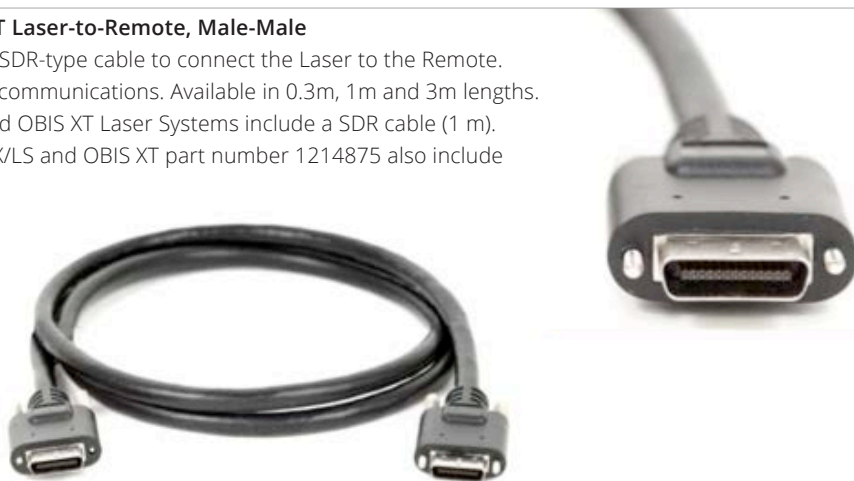
OBIS Single Laser Power Supply, part # 1184491

OBIS Single Laser Remote Power Supply offers 12 Volts DC output to the OBIS Remote and has an universal input of 100-240 Volts AC (47-63 Hz), Power Cord sold separately.



Cable, SDR, OBIS LX/LS and OBIS XT Laser-to-Remote, Male-Male

OBIS Single Laser Remote requires a SDR-type cable to connect the Laser to the Remote. This cable carries power, signals and communications. Available in 0.3m, 1m and 3m lengths. Sold separately. [Note: OBIS LX/LS and OBIS XT Laser Systems include a SDR cable (1 m). OBIS Single Laser Remote for OBIS LX/LS and OBIS XT part number 1214875 also include a SDR cable (1 m).]




OBIS Single Laser Remote Accessories

Example of the OBIS LX/LS Laser System including:

OBIS Single Laser Remote, SDR-type Cable from the Laser to the Remote, USB cable, OBIS Single Laser Power Supply.



Optional OBIS Laser Accessories	Description
	<p>OBIS Heat Sink with fan for thermal management, includes hardware to mount to table. Laser can be mounted on top or side for horizontal polarization. Convenient 69 mm (2.7 inch) beam height.</p> <p>Part Number 1193289 OBIS Heat Sink Mount.</p>
	<p>OBIS LX/LS Single Laser Remote with full features for control with Analog and Digital modulation inputs. Includes USB and RS-232 connectors on the back panel of the Remote.</p> <p>Part Number 1214875 OBIS LX/LS Single Laser Remote, with Power Supply, 1 meter laser-to-remote (SDR) cable, USB cable, and Coherent Connection applications software.</p> <p>Part Number 1173961 OBIS LX/LS Single Laser Remote, with Power Supply, USB cable, and Coherent Connection applications software (no SDR Laser-to-Remote cable).</p>
	<p>OBIS LX/LS 6-Laser Remote with CDRH features. Separate power switches and power cables for each laser. NOTE: Does not support modulation inputs.</p> <p>Part Number 1203909 OBIS LX/LS 6-Laser Remote, with Power Supply, 6 power cables from laser-to-remote, and Coherent Connection applications software.</p> <p>Part Number 1306263 OBIS LX/LS 6-Laser Remote, with Power Supply and Coherent Connection applications software (no laser-to-remote power cables).</p>
	<p>OBIS LX/LS Scientific Remote with full features for control with analog/digital inputs for up to six lasers. User interface touch screen and connectivity through USB, RS-232, and Ethernet.</p> <p>Part Number 1234466 OBIS LX/LS Scientific Remote, with internal Power Supply, 6 laser-to-remote (SDR) cables, and Coherent Connection applications software.</p> <p>Part Number 1234465 OBIS LX/LS Scientific Remote, with internal Power Supply, and Coherent Connection applications software (no SDR Laser-to-Remote cables).</p>
	<p>OBIS LX/LS Laser Box with five laser mounting bays with thermal management, cooling fans, analog/digital inputs, RS-232, USB, key-switch, and interlock in one compact package. Lasers sold separately.</p> <p>Part Number 1228877 OBIS LX/LS Laser Box, with Power Supply, USB cable, and Coherent Connection applications software. Analog Modulation Impedance = 2k Ω, Digital Modulation Impedance = 50 Ω.</p> <p>Part Number 1343229 OBIS LX/LS Laser Box, with Power Supply, USB cable, and Coherent Connection applications software. Analog Modulation Impedance = 2k Ω, Digital Modulation Impedance = 2k Ω.</p>



Coherent, Inc.,
 5100 Patrick Henry Drive Santa Clara, CA 95054
 p. (800) 527-3786 | (408) 764-4983
 f. (408) 764-4646

tech.sales@coherent.com www.coherent.com

Coherent follows a policy of continuous product improvement. Specifications are subject to change without notice. Coherent's scientific and industrial lasers are certified to comply with the Federal Regulations (21 CFR Subchapter J) as administered by the Center for Devices and Radiological Health on all systems ordered for shipment after August 2, 1976.

Coherent offers a limited warranty for all OBIS LX/LS Single Laser Remotes. For full details of this warranty coverage, please refer to the Service section at www.coherent.com or contact your local Sales or Service Representative. MC-025-14-0M0920Rev.D Copyright ©2020 Coherent, Inc.