

II-VI



C.Wire® 12x Parallel Active Optical Cables

C.wire® is a family of 12-channel parallel active optical cables for storage, networking, and high-performance computing connectivity. It supports up to 12 x 12.5 Gb/s bi-directionally over parallel multimode fiber (MMF) round cable. Based on II-VI's vertically integrated VCSEL array technology and designed with CXP-compliant high-density connectors, these new cables are compact, lightweight, and low power. C.wire is ideally suited for datacenter reaches up to 100 meters for InfiniBand 12x SDR/DDR/QDR, 100G Ethernet, and other Datacom, telecom and high-performance computing applications.

Key Advantages:

- Lowest weight for high port count architectures
- High-density interconnectivity
- Small bend radius for easy installation and fiber management
- Low power consumption
- Based on industry-standard CXP form factor
- Utilizes II-VI's vertically integrated and highly reliable VCSEL technology

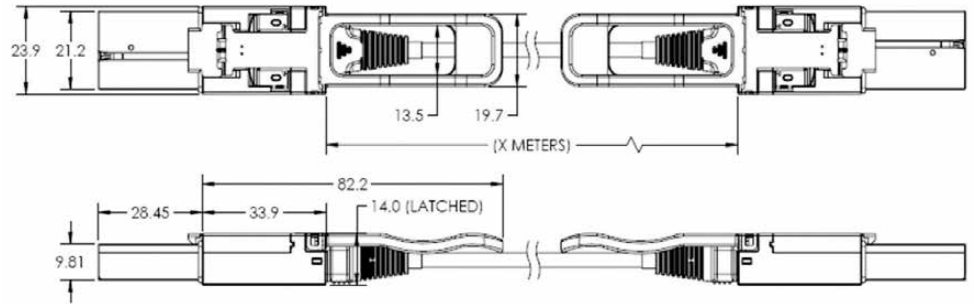
C.Wire® 12x Parallel Active Optical Cables

Key Features:

- Up to Parallel 12x12.5Gb/s bi-directional link
- Lightweight
- Low power dissipation: <3.5 w per end, maximum
- Small cable bend radius
- thin cable for large port count architectures and easy installations
- Supports data center link lengths of up to 100 meters
- Standard CXP form factor
- Metal enclosure for low EMI
- Single 3.3v power supply
- Operating case temperature range: 0°C to 70°C
- RoHS compliant and Lead-Free

Key Applications:

- 100G Ethernet (100GbE)
- Infiniband 12x SDR/DDR/QDR
- Fibre Channel
- PCIe
- Proprietary high-speed interconnections



Specifications

Parameter	Value	Unit	Notes
Module Form Factor	CXP		
Number of Lanes	12 Tx and 12 Rx		
Maximum Aggregate Data Rate	135.816; 150.0	Gb/s	
Maximum Data Rate per Lane	11.318; 12.5	Gb/s	
Standard Cable Lengths	3, 5, 10, 15, 20, 30, 50, 100	meters	Other lengths may be available upon request.
Protocols Supported	Infiniband, 100G Ethernet, OTU, PCIe		
Electrical Interface and Pin-out	84-pin edge connector		Pin-out as defined in the CXP Specification by the IBTA
Standard Optical Cable Type	Multimode round fiber cable assembly		Various cable types available upon request
Maximum Power	3.5	Watts	Varies with output voltage swing and pre-emphasis settings
Consumption per End			
Management Interface	Serial, I2C-based		As defined by the CXP Specification

Product Selection

Part Number	Description
FCBND10CD3Cxx	12x11.3Gb/s active optical cable, Plenum-rated, round cable
FCBRD10CD3Cxx	12x11.3Gb/s active optical cable, Riser/LSZH-rated, round cable
FCBND12CD3Cxx	12x12.5Gb/s active optical cable, Plenum-rated, round cable
XX	03 3 meter cable
	05 5 meter cable
	10 10 meter cable
	20 20 meter cable
	30 30 meter cable
	50 50 meter cable
	X0 100 meter cable